

YAMAHA

PARTS CATALOGUE

TT600W (3SW1)

EUROPE, OCEANIA

(3SW2)

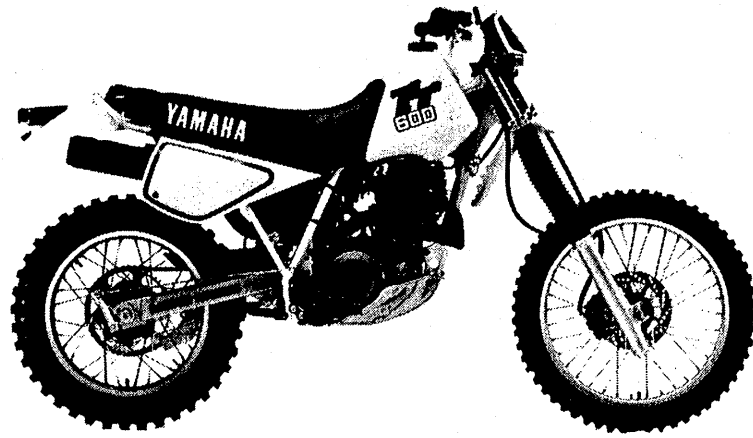
(3SW3)

(3SW4)

(3SW5)

193SW-300E1







FOREWORD

This Parts Catalogue is related to the parts in use for the Yamaha TT600W (3SW1).

When you are ordering replacement parts for the TT600W (3SW1), refer to this Parts Catalogue and quote both part numbers and part names correctly.

1. Modifications or additions which have been made after issue of the Parts Catalogue will be announced in the Yamaha Parts News.

It is advisable that according to the Yamaha Parts News you make necessary corrections to the Parts Catalogue on hand to keep it up-to-date.

2. Abbreviations

The following abbreviations are used in this Parts Catalogue.

U.R. Use size (thickness) and /or number as required.

U.N. Use as many as you need.

A.P. Alternate Parts

L.M. Local Made

F# Frame No. (Applicable machine No.)

3. The parts marked with (*) in the parts number column of this Catalogue are not supplied with by Yamaha, those have to be found locally.

4. Parts, which are to be supplied in the form of assemblies, are listed with an indentation of one letter's space, and a dot (.) is put against the name of each part.

EXAMPLE CARBURETOR ASS'Y
 .JET, pilot
 .NOZZLE, main

5. Indication of No. of constituent parts for assembly

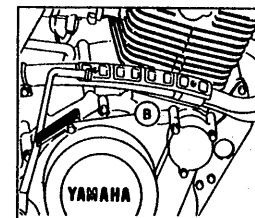
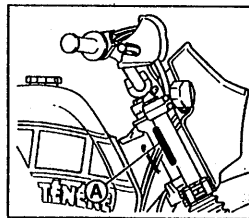
The numeral appearing to the right of each constituent part under the description indicates the quantity of such parts for each individual assembly unit.

EXAMPLE

Part No.	Description	Q'ty	Remarks
2F5-83310-60	FRONT FLASHER LIGHT ASS'Y	2	
115-83311-60	.BULB (8V-1W)	1	
1M1-83309-60	.REFLECTOR	1	

6. Initial Serial No. and Color Code

A	Frame Serial No.	59X-016101 and following
B	Engine Serial No.	59X-016101 and following



Color	Color Name	Abbreviate
36	CLEAN WHITE	W

7. Applicable colors of graphics are represented in the "Remarks" column by the letter(s) appropriately picked out of the full word(s) showing such colors.

EXAMPLE

Part No.	Description	Q'ty	Remarks
2N4-24110-00-X5	FUEL TANK COMP.	1	MAXIM RED
3J1-24240-10	.GRAPHIC, fuel tank set	1	for MXR

CONTENTS

GENERAL SPEC.

ENGINE

Fig. 1	CYLINDER HEAD	1
Fig. 2	CYLINDER	3
Fig. 3	CRANKSHAFT . PISTON	4
Fig. 4	VALVE	6
Fig. 5	CAMSHAFT . CHAIN	7
Fig. 6	OIL PUMP	8
Fig. 7	INTAKE	10
Fig. 8	CARBURETOR	12
Fig. 9	EXHAUST	14
Fig. 10	CRANKCASE	15
Fig. 11	CRANKCASE COVER 1	16
Fig. 12	STARTER	18
Fig. 13	CLUTCH	20
Fig. 14	TRANSMISSION	22
Fig. 15	SHIFT CAM . FORK	23
Fig. 16	SHIFT SHAFT	24

CHASSIS

Fig. 17	FRAME	25
Fig. 18	FENDER	27
Fig. 19	SIDE COVER . OIL TANK	28
Fig. 20	REAR ARM	29
Fig. 21	REAR SUSPENSION	31
Fig. 22	STEERING	32
Fig. 23	FRONT FORK	33

Fig. 24	FUEL TANK	36
Fig. 25	SEAT	37
Fig. 26	FRONT WHEEL	38
Fig. 27	FRONT BRAKE CALIPER	39
Fig. 28	REAR WHEEL	40
Fig. 29	STEERING HANDLE . CABLE ...	42
Fig. 30	FRONT MASTER CYLINDER ...	43
Fig. 31	STAND . FOOTREST	44
Fig. 32	GENERATOR	46
Fig. 33	FLASHER LIGHT	47
Fig. 34	METER	48
Fig. 35	HEADLIGHT	49
Fig. 36	TAILLIGHT	50
Fig. 37	HANDLE SWITCH . LEVER	51
Fig. 38	ELECTRICAL 1	52
Fig. 39	ELECTRICAL 2	54

INDEX (GENERAL SPEC.)

NUMERICAL INDEX

INDEX (INDIVIDUAL SPEC.)

NUMERICAL INDEX

INDIVIDUAL SPEC.

FOR SWEDEN

Fig. 40	ALTERNATE (ENGINE)	58
---------	--------------------------	----

GENERAL SPEC.

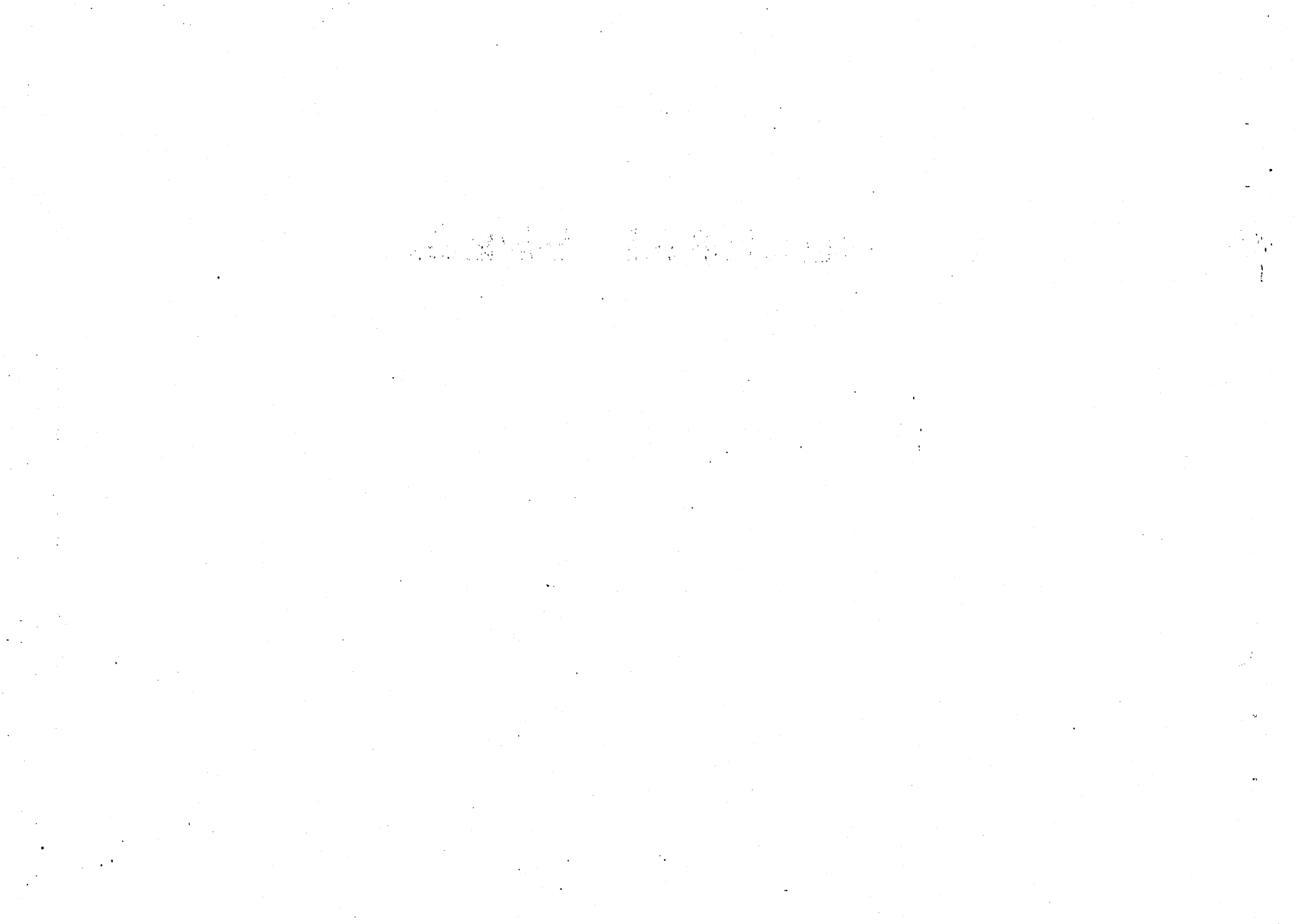
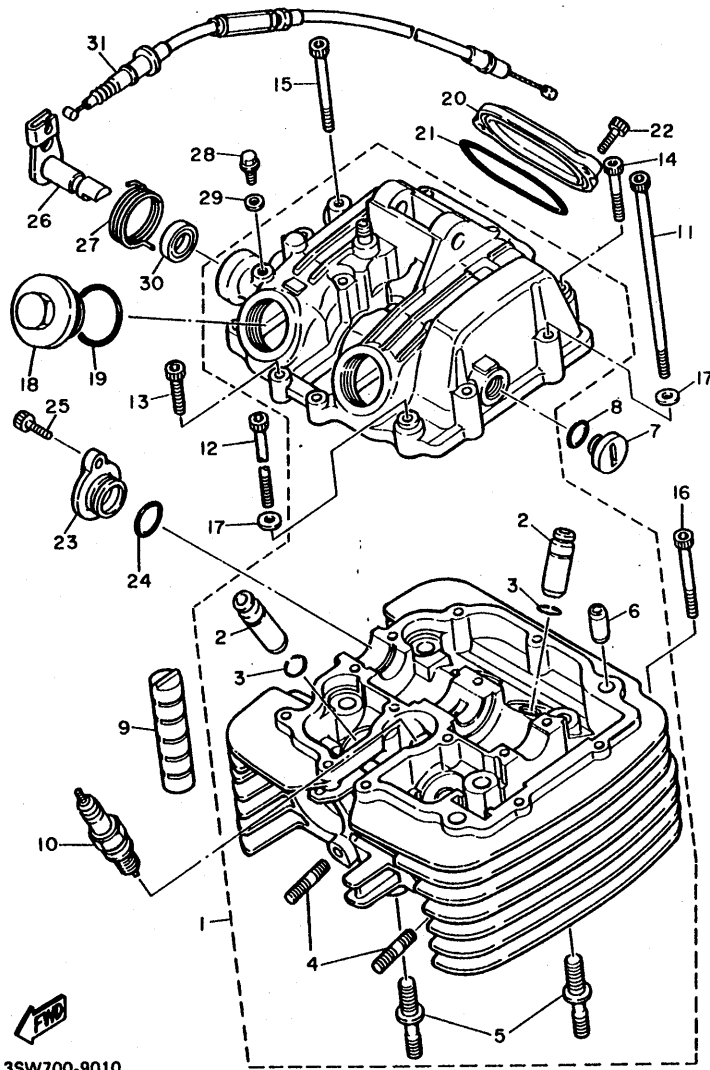


FIG. 1 CYLINDER HEAD

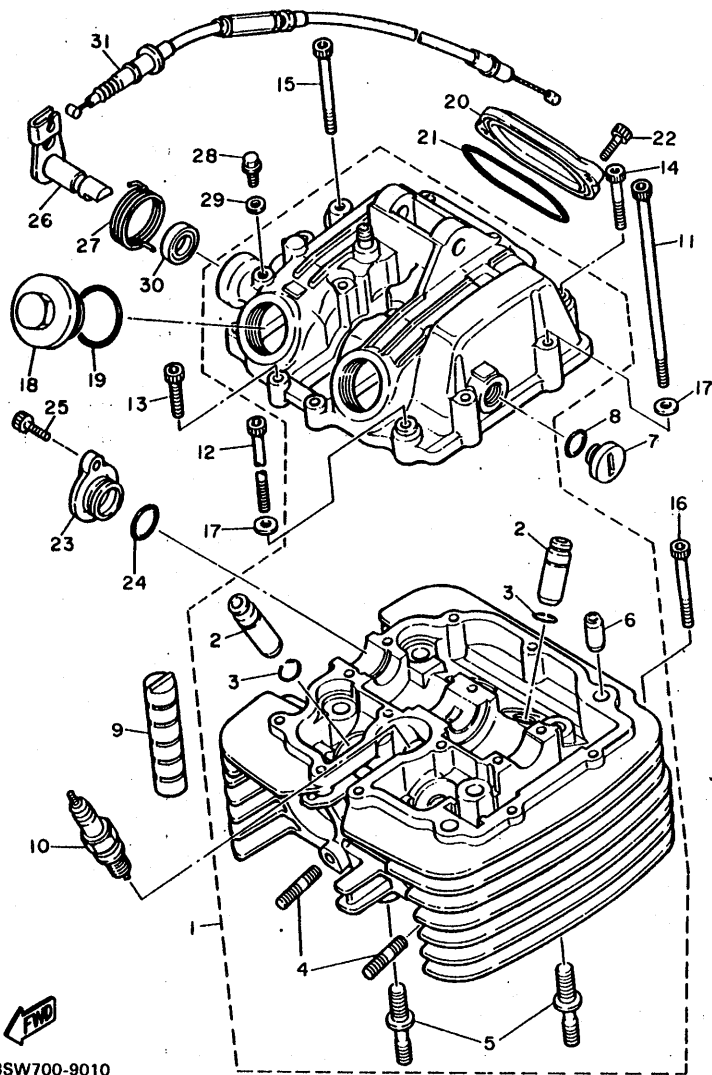


3SW700-9010

REF. NO.	PART NO.	DESCRIPTION	Q'TY	REMARKS
1	1WN-11101-01	CYLINDER HEAD ASSY	1	
2	4H7-11133-10	.GUIDE, intake valve	4	
3	93440-12052	.CIRCLIP	4	
4	90116-06475	.BOLT, stud	4	
5	90116-10378	.BOLT, stud	2	
6	99510-10114	.PIN, dowel	2	
7	90340-14079	PLUG, straight screw	1	
8	93210-13657	O-RING	1	
9	583-11127-00	ABSORBER 3	2	
10	94701-00263	PLUG, spark (NGK DP7EA 9)	1	UR
	94701-00262	PLUG, spark (NGK DPR7EA 9)	1	UR WITH REGISTER
11	91316-06125	BOLT	2	
12	91316-06115	BOLT	1	
13	91316-06025	BOLT	4	
14	91316-06040	BOLT	2	
15	91316-06055	BOLT	7	
16	91316-06050	BOLT	1	
17	92906-06600	WASHER, plate	3	
18	1L9-11186-00	COVER, cylinder head side 2	2	
19	93210-32172	O-RING	2	
20	5Y1-11187-00	COVER, cylinder head side 3	1	
21	93210-62446	O-RING	1	
22	91316-06018	BOLT	2	
23	34K-12215-01	CAP, tensioner case	1	
24	93210-19522	O-RING	1	
25	91316-06020	BOLT	1	
26	5Y1-12288-00	CAM, decompression	1	
27	90508-18551	SPRING, torsion	1	

FIG. 1 CYLINDER HEAD

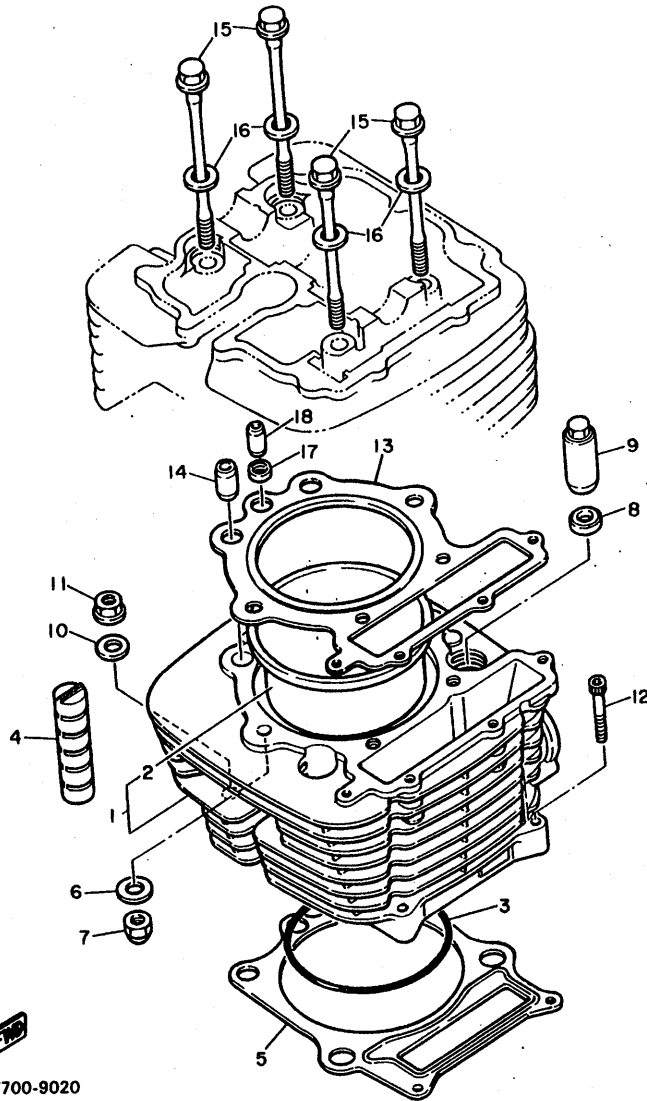
REF. NO.	PART NO.	DESCRIPTION	Q'TY	REMARKS
28	90109-06418	BOLT	1	
29	90430-06014	GASKET	1	
30	93102-12106	OIL SEAL (SD 12-22-5 HS)	1	
31	5Y1-12292-00	CABLE, decompression	1	



3SW700-9010

B3

FIG. 2. CYLINDER

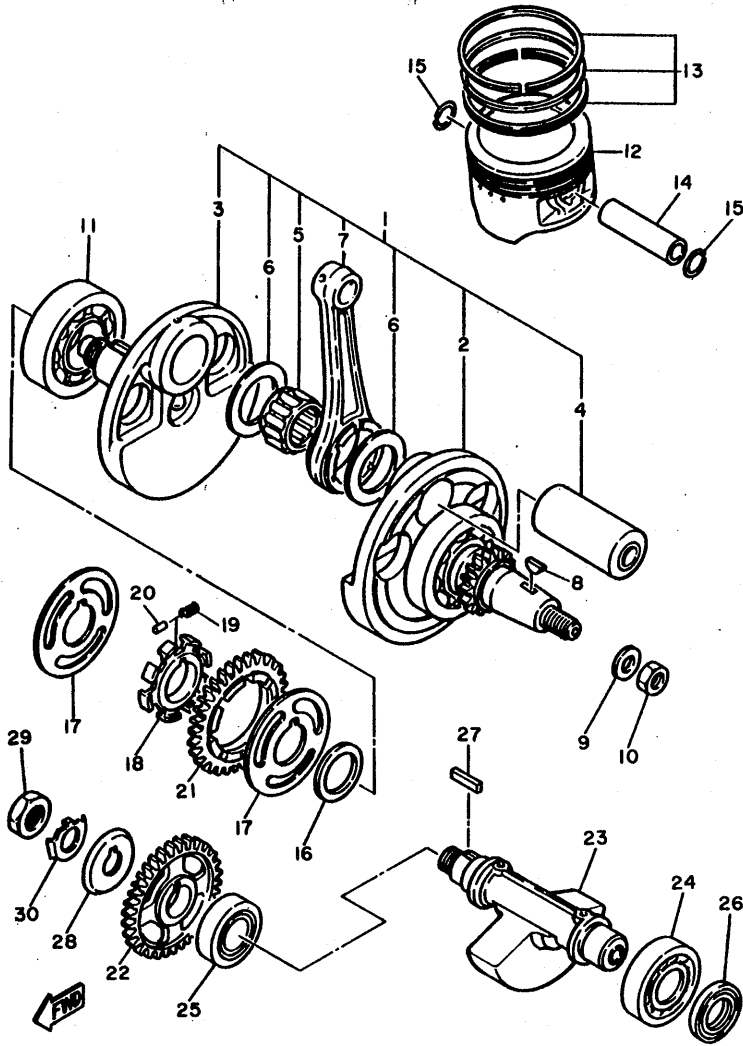


REF. NO.	PART NO.	DESCRIPTION	Q'TY	REMARKS
1	34K-11310-04	CYLINDER	1	
2	34K-11312-09	.SLEEVE, cylinder	1	
3	93210-97524	O-RING	1	
4	583-11127-00	ABSORBER 3	2	
5	1VJ-11351-00	GASKET, cylinder	1	
6	90201-080L8	WASHER, plate	2	
7	90176-08026	NUT, crown	2	
8	90201-10590	WASHER, plate	2	
9	90179-10201	NUT	2	
10	90201-10124	WASHER, plate	2	
11	90179-10279	NUT	2	
12	90110-06162	BOLT, hexagon socket head	2	
13	2KF-11181-01	GASKET, cylinder head 1	1	
14	91810-05018	PIN, dowel	2	
15	90105-08505	BOLT, washer based	4	
16	90201-080L7	WASHER, plate	4	
17	90430-08178	GASKET	1	
18	99510-08016	PIN, dowel	1	

 3SW700-9020

B4

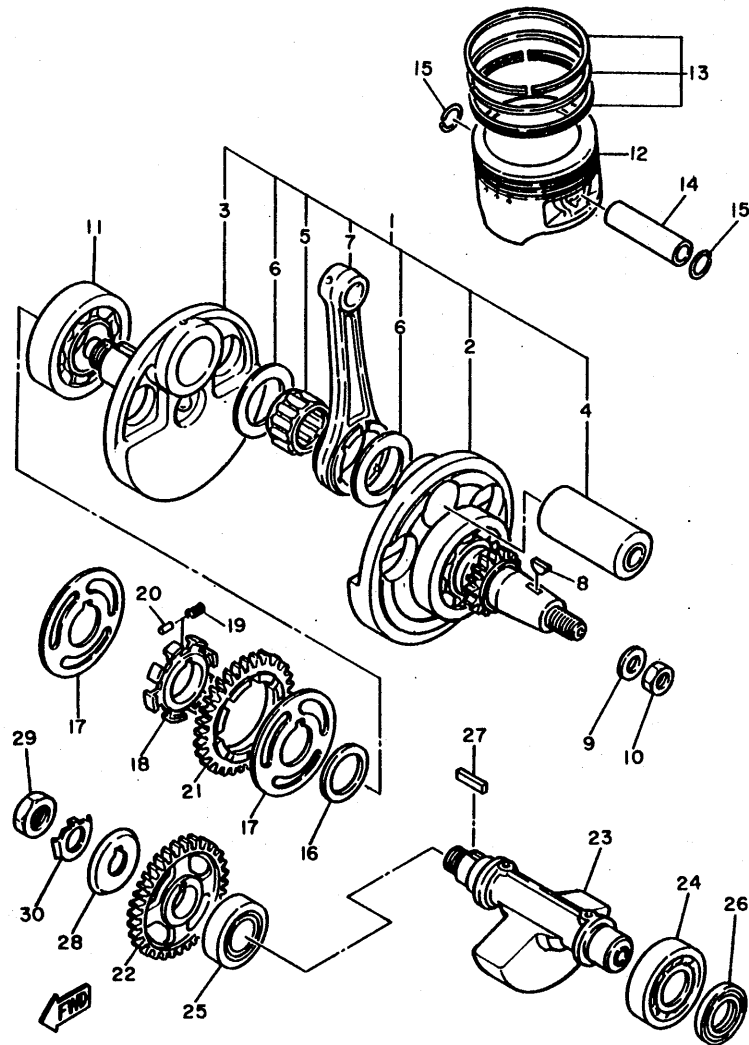
FIG. 3 CRANKSHAFT. PISTON



43F300-8030

REF. NO.	PART NO.	DESCRIPTION	Q'TY	REMARKS
1	34K-11400-00	CRANKSHAFT ASSY	1	
2	34K-W1141-00	.CRANK 1	1	
3	34K-11422-00	.CRANK 2	1	
4	34K-11681-00	.PIN, crank 1	1	
5	93310-834K2	.BEARING, cylindrical	1	
6	90209-34254	.WASHER	2	
7	34K-11651-00	.ROD, connecting	1	
8	90280-05013	KEY, woodruff	1	
9	90201-140A6	WASHER, plate	1	
10	90179-14317	NUT	1	
11	93306-30710	BEARING (6307SH2-9TC4)	1	
12	34K-11631-02-Y0	PISTON (STD)	1	
13	34K-11610-01	PISTON RING SET (STD)	1	
14	34K-11633-01	PIN, piston	1	
15	93450-24028	CIRCLIP	2	
16	90201-301F4	WASHER, plate	1	
17	34K-11565-02	WASHER, bearing cover	2	
18	5Y1-11496-01	BOSS, buffer	1	
19	90501-22721	SPRING, compression	8	
20	93605-10090	PIN, dowel	4	
21	2JT-11536-00	GEAR, drive	1	
22	5Y1-11531-00	GEAR, blance wt 44t	1	
23	34K-11454-00	WEIGHT 1	1	
24	93306-30525	BEARING (B6305)	1	
25	93306-30541	BEARING	1	
26	93101-25106	OIL SEAL	1	
27	90282-05065	KEY, straight	1	
28	34K-11145-00	PLATE, breather 2	1	

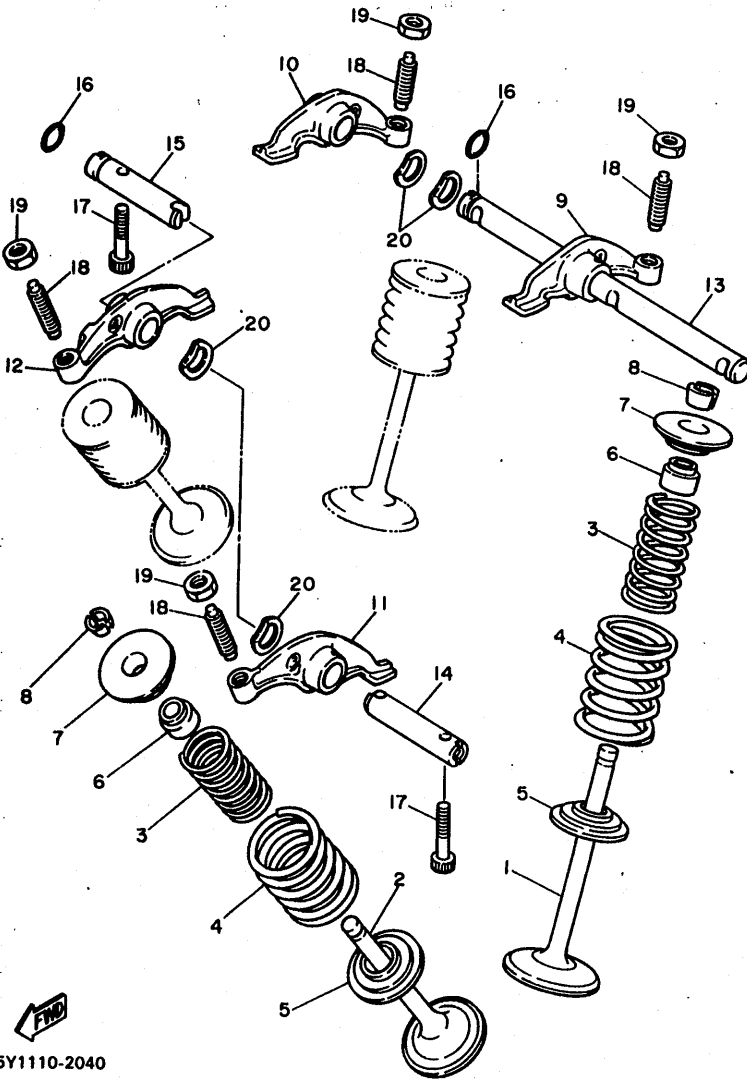
FIG. 3 CRANKSHAFT • PISTON



43F300-6030

REF. NO.	PART NO.	DESCRIPTION	Q'TY	REMARKS
29	90170-16343	NUT	1	
30	90215-16242	WASHER, lock	1	

FIG. 4 VALVE

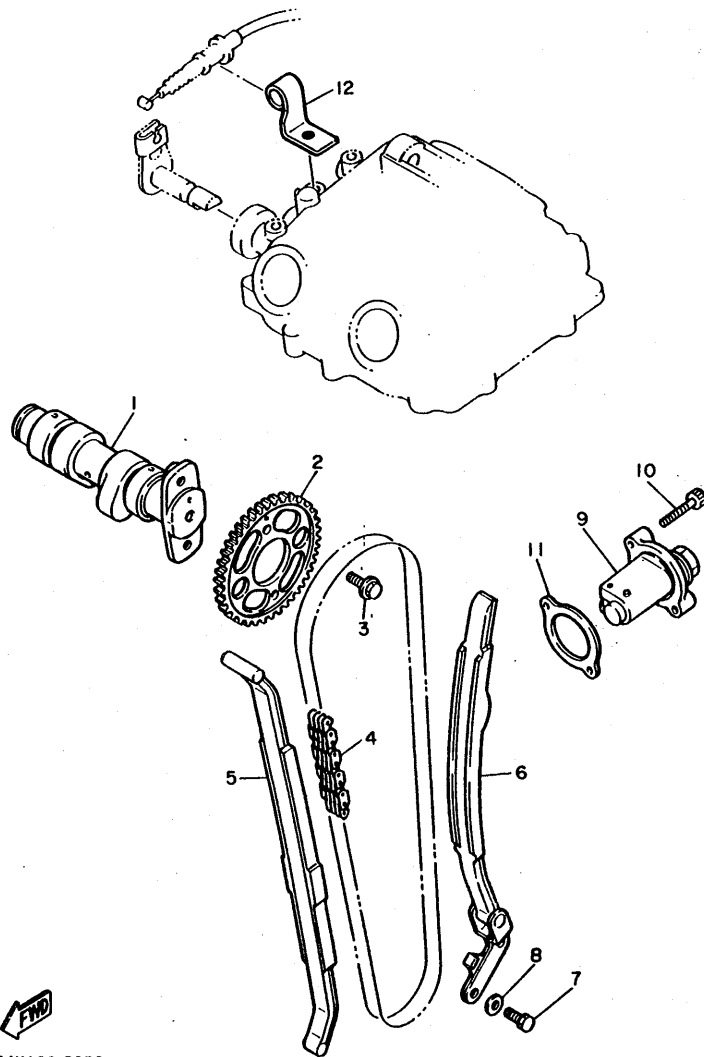


FWD
5Y1110-2040

REF. NO.	PART NO.	DESCRIPTION	Q'TY	REMARKS
1	5Y1-12111-00	VALVE, intake	2	
2	34K-12121-00	VALVE, exhaust	2	
3	5Y1-12113-00	SPRING, valve inner	4	
4	5Y1-12114-00	SPRING, valve outer	4	
5	4H7-12116-00	SEAT, valve spring	4	
6	1J7-12119-01	SEAL, valve stem	4	
7	2F3-12117-00	RETAINER, valve spring	4	
8	1J7-12118-00	COTTER, valve	8	
9	34K-12151-00	ARM, valve rocker	1	
10	34K-12161-00	ARM, valve rocker 2	1	
11	34K-12162-00	ARM, valve rocker 3	1	
12	34K-12163-00	ARM, valve rocker 4	1	
13	2NX-12146-00	SHAFT, rocker	1	
14	5Y1-12156-00	SHAFT, rocker 2	1	
15	5Y1-12166-00	SHAFT, rocker 3	1	
16	93210-08521	O-RING	2	
17	90110-06138	BOLT, hexagon socket head	2	
18	3Y1-12159-00	SCREW, valve adjusting	4	
19	90170-06128	NUT	4	
20	90206-12075	WASHER, wave	4	

B7

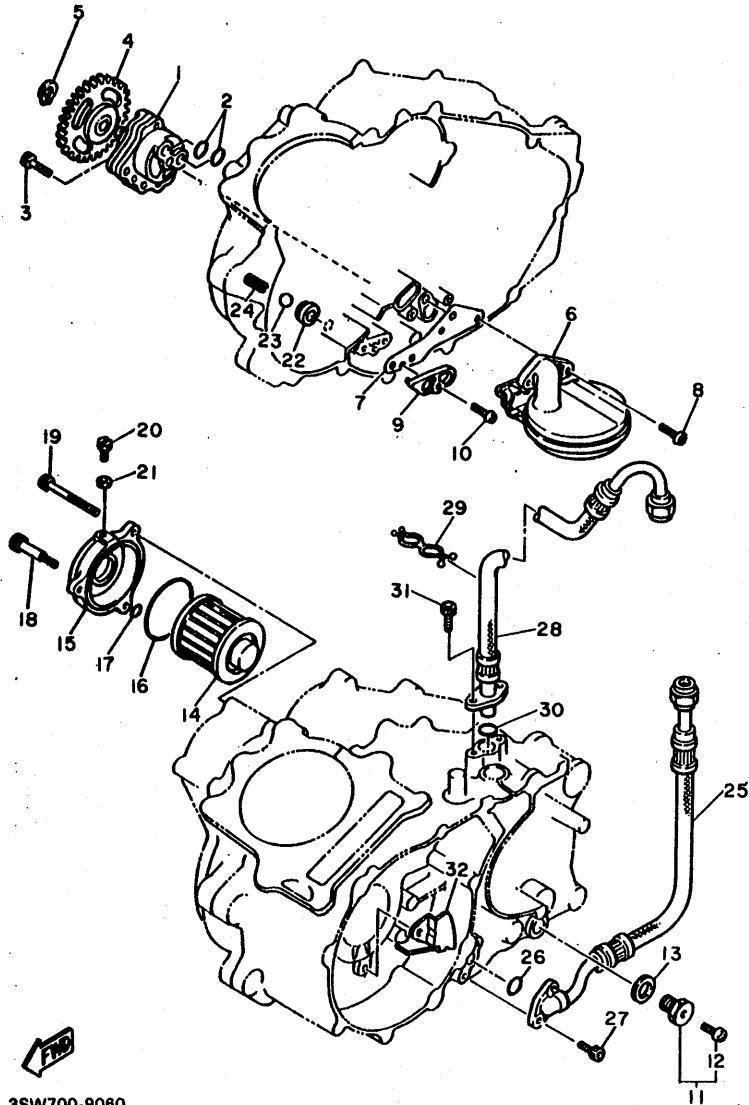
FIG. 5 CAMSHAFT • CHAIN



34K100-3050

REF. NO.	PART NO.	DESCRIPTION	Q'TY	REMARKS
1	34K-12171-00	CAMSHAFT 1	1	
2	34K-12176-00	SPROCKET, cam chain	1	
3	90105-07087	BOLT, washer based	2	
4	94590-27126	CHAIN	1	
5	34K-12231-00	GUIDE, stopper 1	1	
6	34K-12241-00	GUIDE, stopper 2	1	
7	97321-06016	BOLT	2	
8	92901-06600	WASHER, plate	2	
9	34K-12210-00	TENSIONER ASSY, cam chain	1	
10	91316-06025	BOLT	2	
11	4X7-12213-00	GASKET, tensioner case	1	
12	1JK-12283-00	BRACKET, decompression	1	

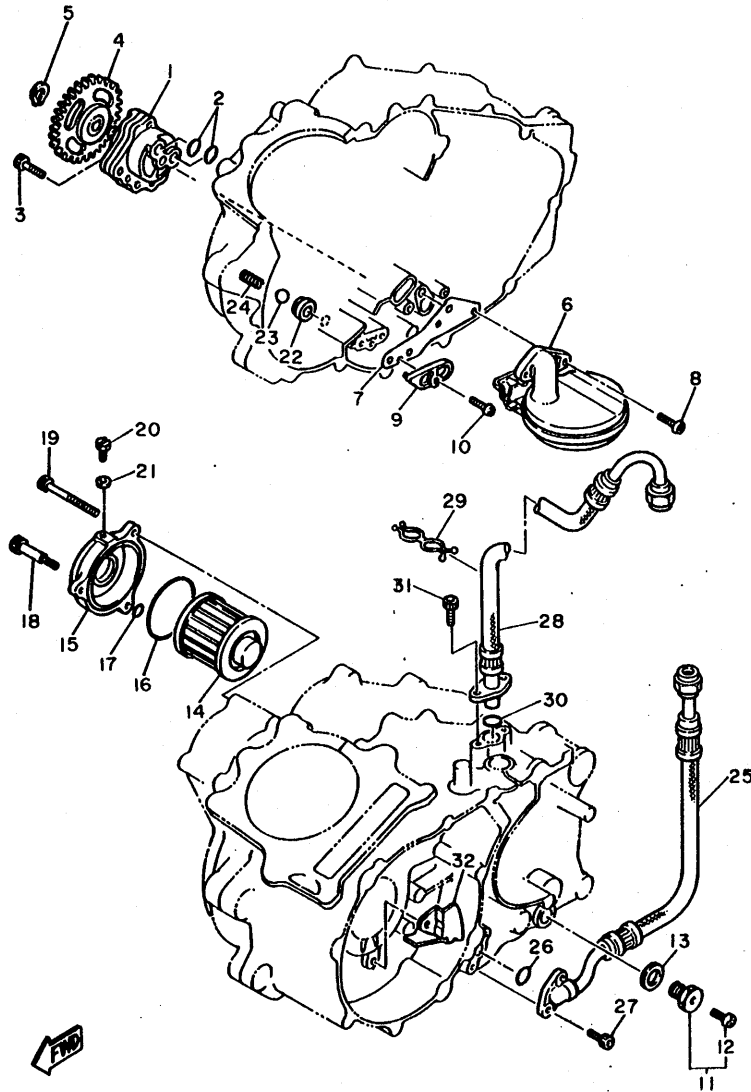
FIG. 6 OIL PUMP



3SW700-8080

REF. NO.	PART NO.	DESCRIPTION	Q'TY	REMARKS
1	1VJ-13300-01	OIL PUMP ASSY	1	
2	93210-13361	O-RING	2	
3	91316-06035	BOLT	3	
4	3AJ-13325-00	GEAR, pump driven	1	
5	99009-11400	CIRCLIP	1	
6	5Y1-W1343-00	STRAINER COMP.	1	
7	5Y1-13415-01	SEAL, oil strainer	1	
8	92501-06014	SCREW, pan head	2	
9	5Y1-16427-01	COVER, cap 2	1	
10	92501-06014	SCREW, pan head	1	
11	11H-13455-00	PLUG	1	
12	98901-06008	SCREW, bind	1	
13	214-11198-01	GASKET	1	
14	4X7-13440-90	ELEMENT ASSY, oil cleaner	1	
15	2WK-13447-00	COVER, oil element	1	
16	93210-64297	O-RING	1	
17	93210-07135	O-RING	1	
18	90109-06419	BOLT	1	
19	91316-06080	BOLT	2	
20	90149-05110	SCREW	1	
21	90430-05126	GASKET	1	
22	583-13113-00	SEAT, check ball	1	
23	93503-08007	BALL	1	
24	90501-043E0	SPRING, compression	1	
25	34K-13464-00	HOSE, oil 1	1	
26	93210-10197	O-RING	1	
27	91316-06016	BOLT	2	
28	34K-13465-00	HOSE, oil 2	1	

FIG. 6 OIL PUMP

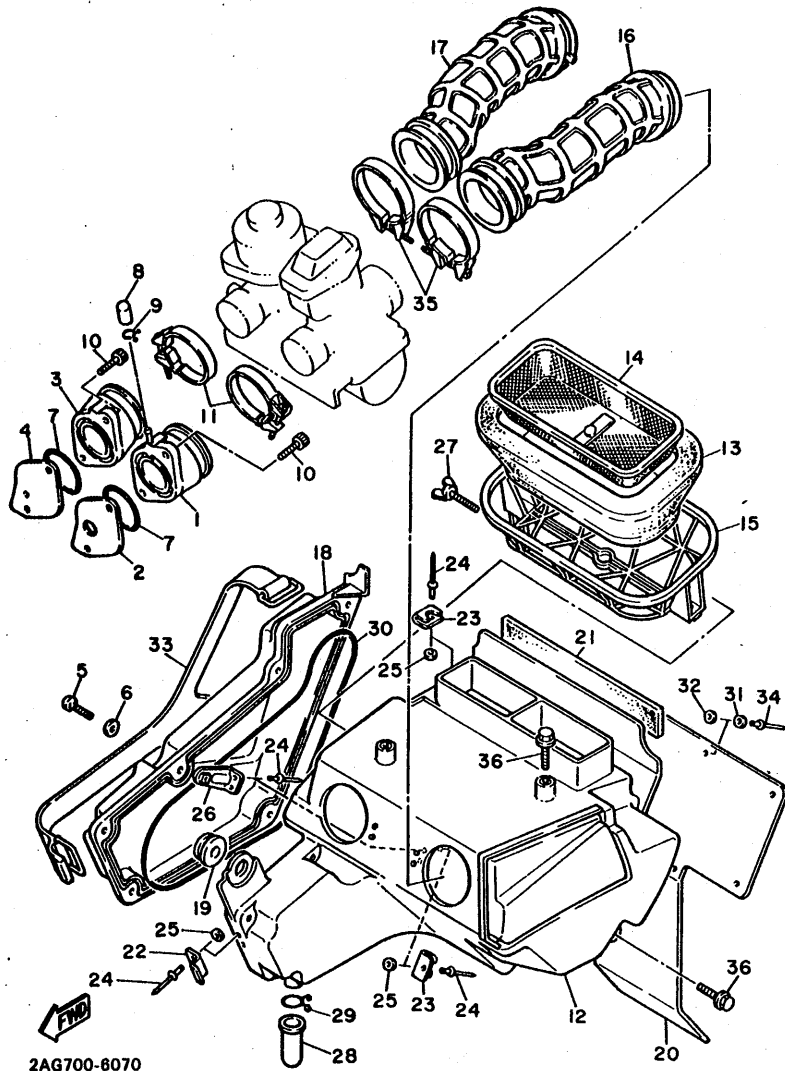


REF. NO.	PART NO.	DESCRIPTION	Q'TY	REMARKS
29	90464-20064	CLAMP	1	
30	93210-15171	O-RING	1	
31	91316-06016	BOLT	2	
32	5Y1-13371-00	PLATE	1	


3SW700-9080

B10

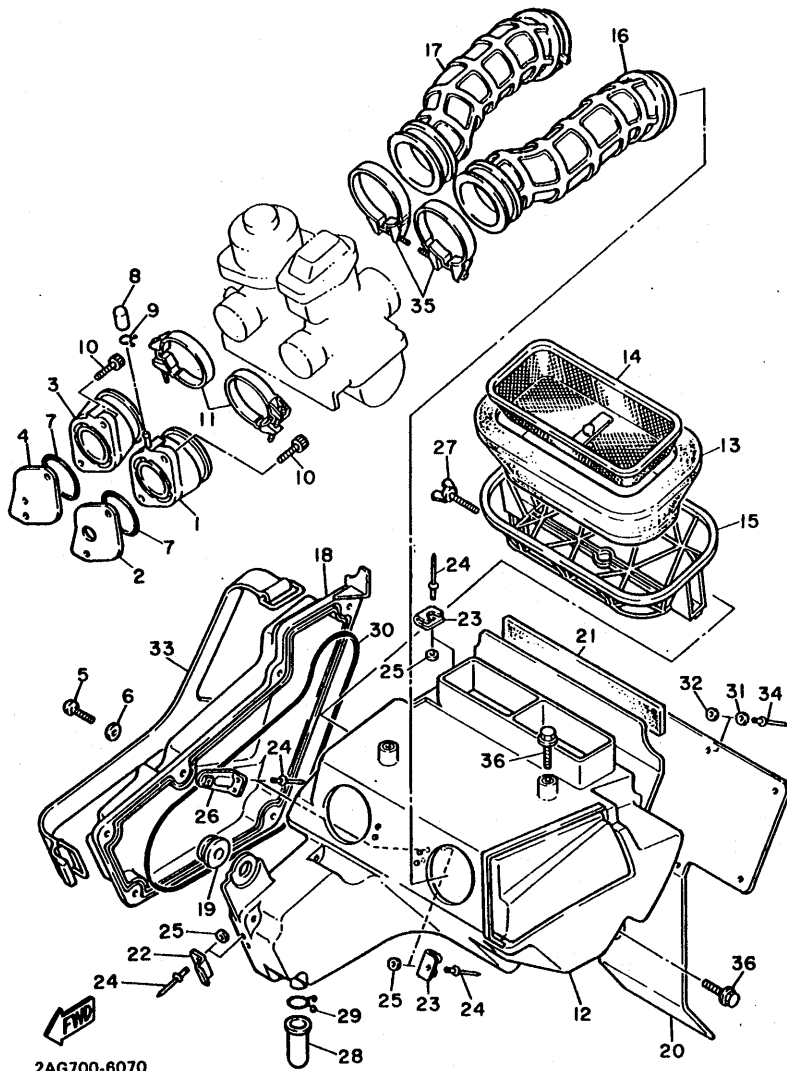
FIG. 7 INTAKE



REF. NO.	PART NO.	DESCRIPTION	Q'TY	REMARKS
1	43F-13586-01	JOINT, carburetor 1	1	
2	2AG-13576-00	SPACER	1	
3	43F-13596-01	JOINT, carburetor 2	1	
4	2AG-13579-00	SPACER 2	1	
5	98506-05016	SCREW, pan head	6	
6	92906-05600	WASHER, plate	6	
7	93210-36549	O-RING	2	
8	16G-13569-00	PLUG, blind	1	
9	90467-10039	CLIP	1	
10	91316-06020	BOLT	4	
11	90460-46206	CLAMP, hose	2	
12	34K-14401-01	AIR CLEANER CASE ASSY	1	
13	34K-14451-01	ELEMENT, air cleaner	1	
14	34K-14458-02	GUIDE	1	
15	34K-14473-02	GUIDE	1	
16	43F-14453-00	JOINT, air cleaner 1	1	
17	43F-14454-00	JOINT	1	
18	34K-14412-01	CAP, cleaner case 1	1	
19	90480-13398	GROMMET	1	
20	34K-21621-01	FLAP	1	
21	34K-14426-00	DAMPER 2	1	
22	26A-14436-00	HOOK	1	
23	34K-14484-00	PLATE, cleaner case fitting	2	
24	90267-40073	RIVET, blind	6	
25	92990-04200	WASHER, plain	4	
26	34K-14493-01	STAY 1	1	
27	90122-05010	BOLT, wing	1	
28	1W4-14457-00	SEAL	1	

B11

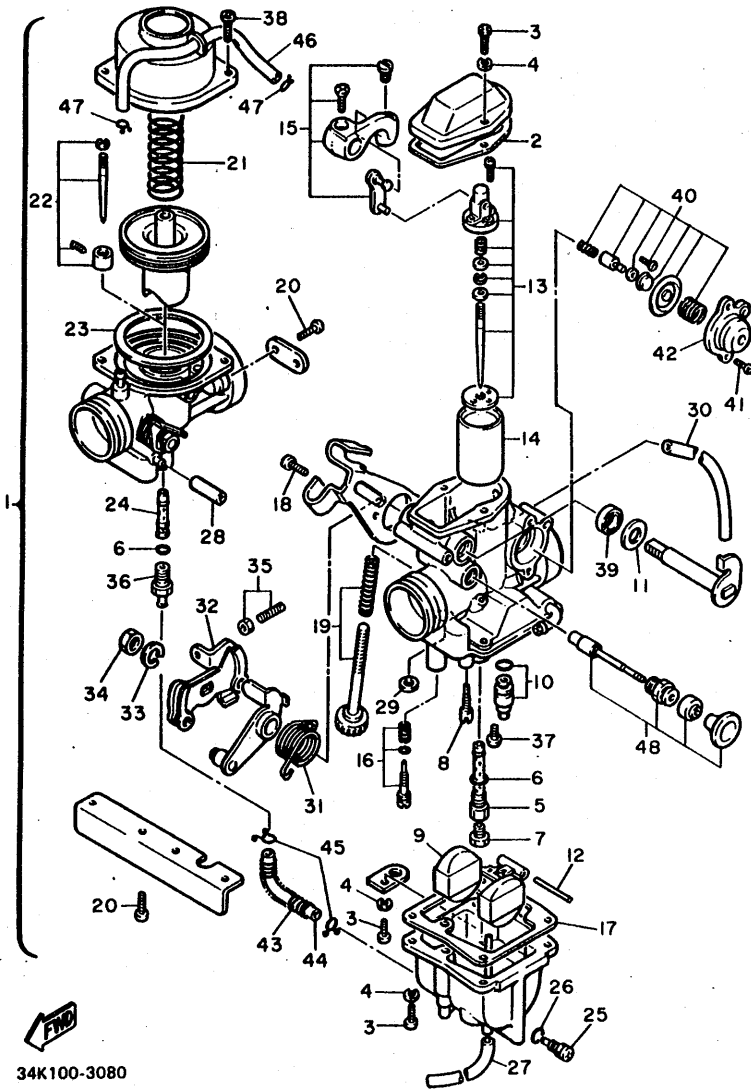
FIG. 7 INTAKE



2AG700-8070

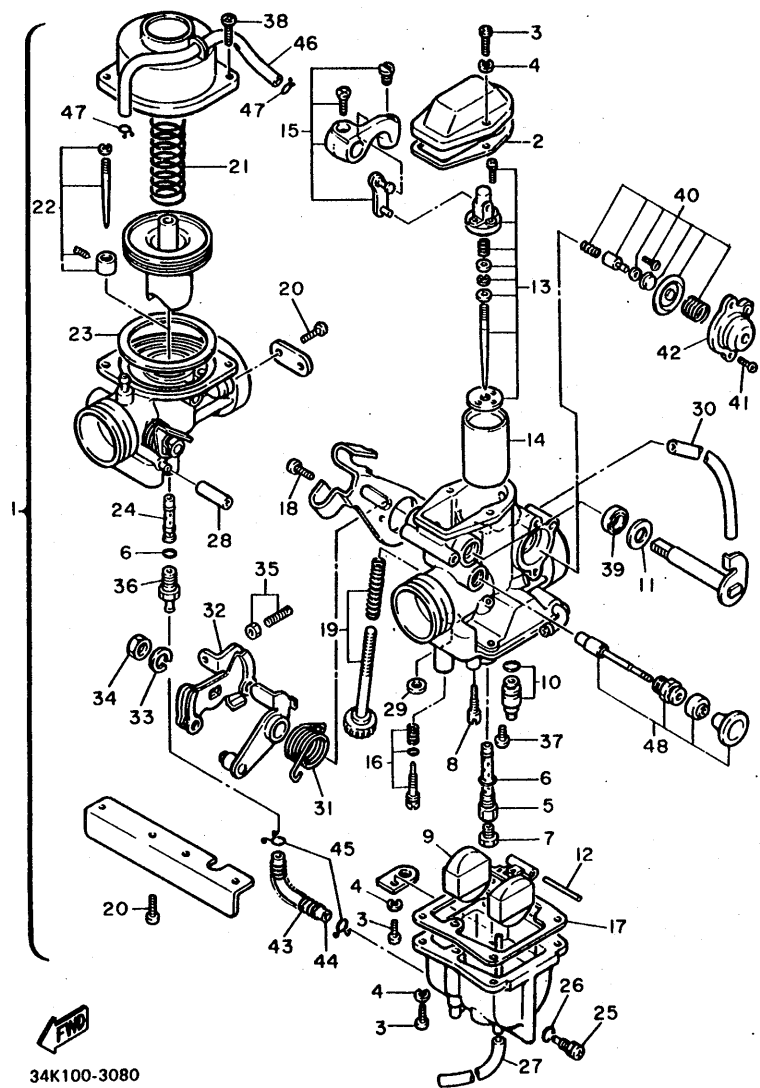
REF. NO.	PART NO.	DESCRIPTION	Q'TY	REMARKS
29	90467-20030	CLIP	1	
30	34K-14452-00	SEAL	1	
31	90201-047A2	WASHER, plate	7	
32	92990-04200	WASHER, plain	7	
33	34K-14455-00	BAND	1	
34	90267-40073	RIVET, blind	7	
35	90460-51059	CLAMP, hose	2	
36	95801-08012	BOLT, flange	3	

FIG. 8 CARBURETOR



REF. NO.	PART NO.	DESCRIPTION	Q'TY	REMARKS
1	55U-14301-00	CARBURETOR ASSY 1	1	
2	5Y1-14198-00	.GASKET	1	
3	98503-04014	.SCREW, pan head	6	
4	92901-04100	.WASHER, spring	6	
5	5Y3-14341-00	.NOZZLE, main	1	
6	360-24512-00	.GASKET	2	
7	288-14343-68	.JET, main (#135)	1	
8	43F-14342-24	.JET, pilot (# 48)	1	
9	5Y1-14385-00	.FLOAT	1	
10	1JK-14107-01	.NEEDLE VALVE SET	1	
11	5Y1-14357-00	.WASHER, plain	1	
12	6E5-14386-01	.PIN, float	1	
13	55U-1490J-10	.NEEDLE SET	1	
14	34K-14312-55	.VALVE, throttle 1	1	
15	5Y1-14203-00	.CABLE CONNECTOR SET	1	
16	50M-14105-00	.PILOT SCREW SET	1	
17	5Y1-14384-00	.GASKET, float chamber	1	
18	98580-04010	.SCREW, pan head	2	
19	34K-14103-00	.THROTTLE SCREW SET	1	
20	98501-05010	.SCREW, pan head	6	
21	5Y1-14286-00	.SPRING	1	
22	43F-1490J-01	.NEEDLE SET	1	
23	5Y1-14398-00	.GASKET	1	
24	5Y1-14355-00	.NOZZLE, main 2	1	
25	5Y1-14115-00	.PLUG, screw	1	
26	5Y1-14397-00	.O-RING	1	
27	5Y1-14396-00	.PIPE	1	
28	5Y1-14349-00	.PIPE	1	

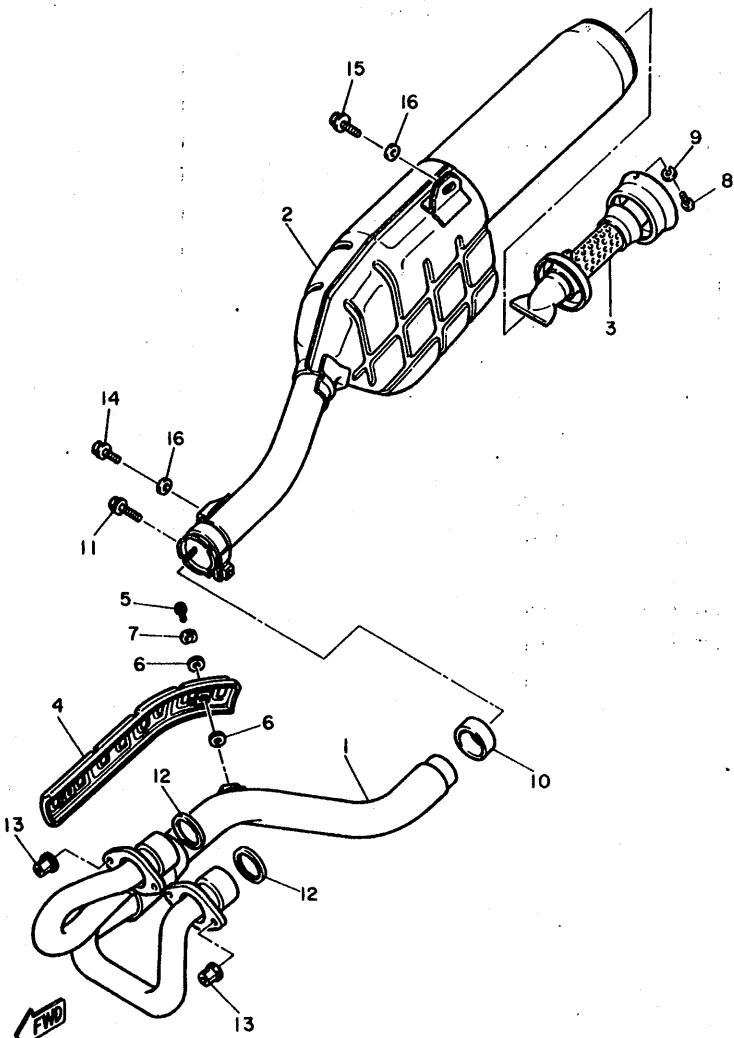
FIG. 8 CARBURETOR



34K100-3080

REF. NO.	PART NO.	DESCRIPTION	Q'TY	REMARKS
29	5Y1-14536-00	.GASKET	1	
30	5Y1-14197-00	.PIPE	1	
31	5Y1-14131-00	.SPRING, throttle valve	1	
32	34K-14305-00	.THROTTLE LEVER COMP	1	
33	5Y1-14356-00	.WASHER, spring	1	
34	5Y1-14358-00	.NUT	1	
35	34K-1490K-00	.STOP SCREW SET	1	
36	5Y1-14343-68	.JET, main (#136)	1	
37	98901-04006	.SCREW, bind	1	
38	98580-04020	.SCREW, pan head	2	
39	5Y1-14572-00	.SEAL	2	
40	5Y1-1490A-00	.DIAPHRAGM SET, 1	1	
41	98580-04010	.SCREW, pan head	2	
42	5Y1-14293-01	.COVER 1	1	
43	5Y1-14556-00	.SPRING	1	
44	5Y1-14148-00	.PIPE	1	
45	5Y1-14137-00	.CLIP	2	
46	5Y1-14149-00	.PIPE	1	
47	5Y1-14159-00	.CLIP	2	
48	34K-14370-00	.PLANGER STARTER ASSY	1	

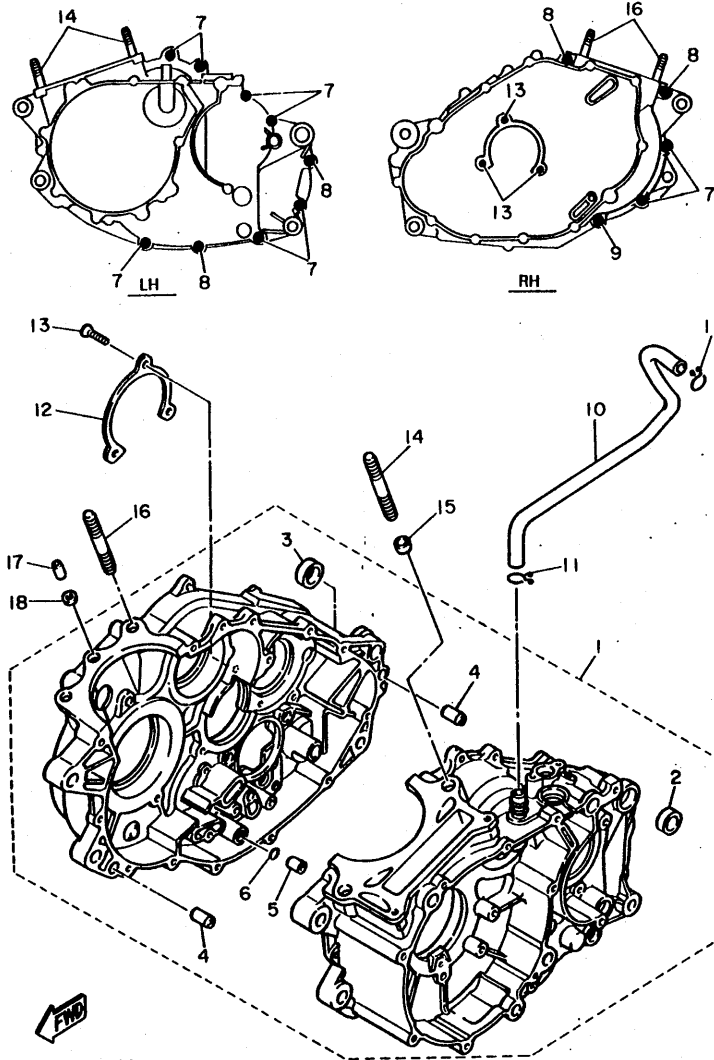
FIG. 9 EXHAUST



34K100-3090

REF. NO.	PART NO.	DESCRIPTION	Q'TY	REMARKS
1	34K-14611-01	PIPE, exhaust 1	1	
2	34K-14711-02	MUFFLER 1	1	
3	34K-14752-00	PIPE, outlet	1	
4	34K-14628-01	PROTECTOR, exhaust pipe	1	
5	90164-06017	SCREW, tapping	2	
6	30X-14766-00	WASHER, protector	4	
7	90206-06060	WASHER, wave	2	
8	92501-08010	SCREW, pan head	1	
9	92990-06100	WASHER, spring	1	
10	34K-14714-00	GASKET, muffler	1	
11	95816-08045	BOLT, flange	1	
12	5Y1-14613-00	GASKET, exhaust pipe	2	
13	90179-06499	NUT	4	
14	95811-08012	BOLT, flange	1	
15	95821-08020	BOLT, flange	1	
16	90201-08326	WASHER, plate	2	

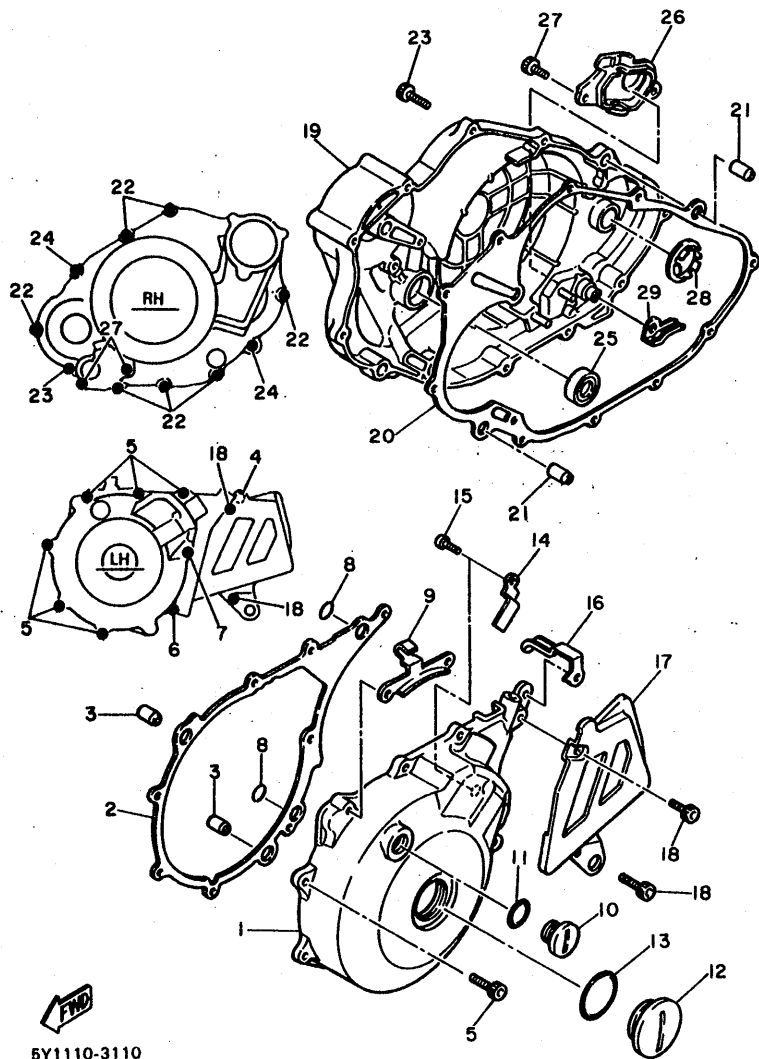
FIG. 10 CRANKCASE



34K100-3100

REF. NO.	PART NO.	DESCRIPTION	Q'TY	REMARKS
1	3SW-15100-00	CRANKCASE ASSY	1	
2	90387-17783	.COLLAR	1	
3	90387-16782	.COLLAR	1	
4	99510-12016	.PIN, dowel	2	
5	99510-08016	.PIN, dowel	1	
6	93210-07135	.O-RING	1	
7	90110-06138	BOLT, hexagon socket head	9	
8	91316-06045	BOLT	4	
9	91316-06060	BOLT	1	
10	34L-11166-00	PIPE, breather 1	1	
11	90467-14015	CLIP	2	
12	5Y1-15383-00	PLATE, bearing cover	1	
13	92701-06012	SCREW, flat head	3	
14	90116-10506	BOLT, stud	2	
15	99510-12016	PIN, dowel	2	
16	90116-10263	BOLT, stud	2	
17	99510-08016	PIN, dowel	1	
18	90430-08178	GASKET	1	

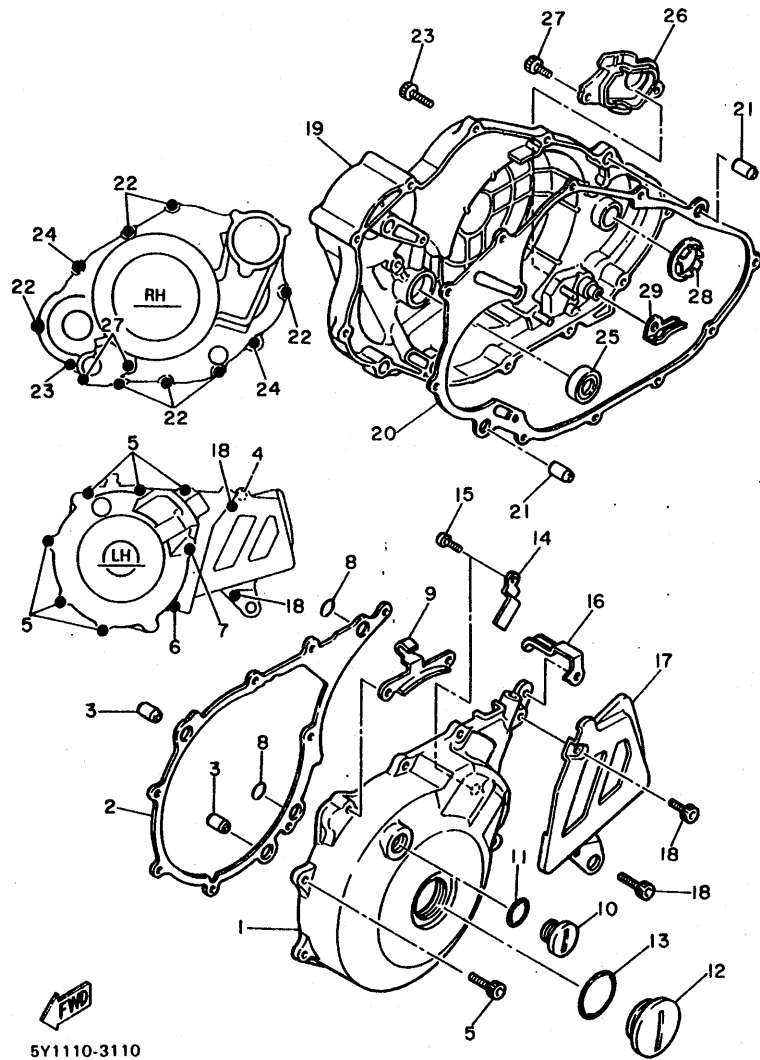
FIG. 11 CRANKCASE COVER 1



5Y1110-3110

REF. NO.	PART NO.	DESCRIPTION	Q'TY	REMARKS
1	2WK-15411-00	COVER, crankcase 1	1	CIRCUIT SILVER
2	5Y1-15451-01	GASKET, crankcase cover 1	1	
3	99510-12016	PIN, dowel	2	
4	91316-08020	BOLT	1	
5	91316-08025	BOLT	6	
6	91316-08040	BOLT	1	
7	91316-06050	BOLT	1	
8	93210-13361	O-RING	2	
9	5Y1-15441-00	HOLDER, clutch cable	1	
10	90340-14120	PLUG, straight screw	1	CIRCUIT SILVER
11	93210-13657	O-RING	1	
12	90340-36121	PLUG, straight screw	1	CIRCUIT SILVER
13	93210-36510	O-RING	1	
14	90462-16102	CLAMP	1	
15	92501-06012	SCREW, pan head	1	
16	90462-10107	CLAMP	1	
17	2WK-15421-00	COVER, crankcase 2	1	CIRCUIT SILVER
18	91316-08016	BOLT	2	
19	2KF-15431-00	COVER, crankcase 3	1	
20	34K-15462-00	GASKET, crankcase cover 3	1	
21	99510-12016	PIN, dowel	2	
22	91316-08025	BOLT	7	
23	90110-06138	BOLT, hexagon socket head	1	
24	91316-08035	BOLT	2	
25	93101-14092	OIL SEAL (S7-14-25-5.5-1-HS)	1	
26	2WK-15417-00	COVER, cap	1	
27	91316-08016	BOLT	2	
28	5Y1-15645-00	SHIM, kick shaft	1	

FIG. 11 CRANKCASE COVER 1

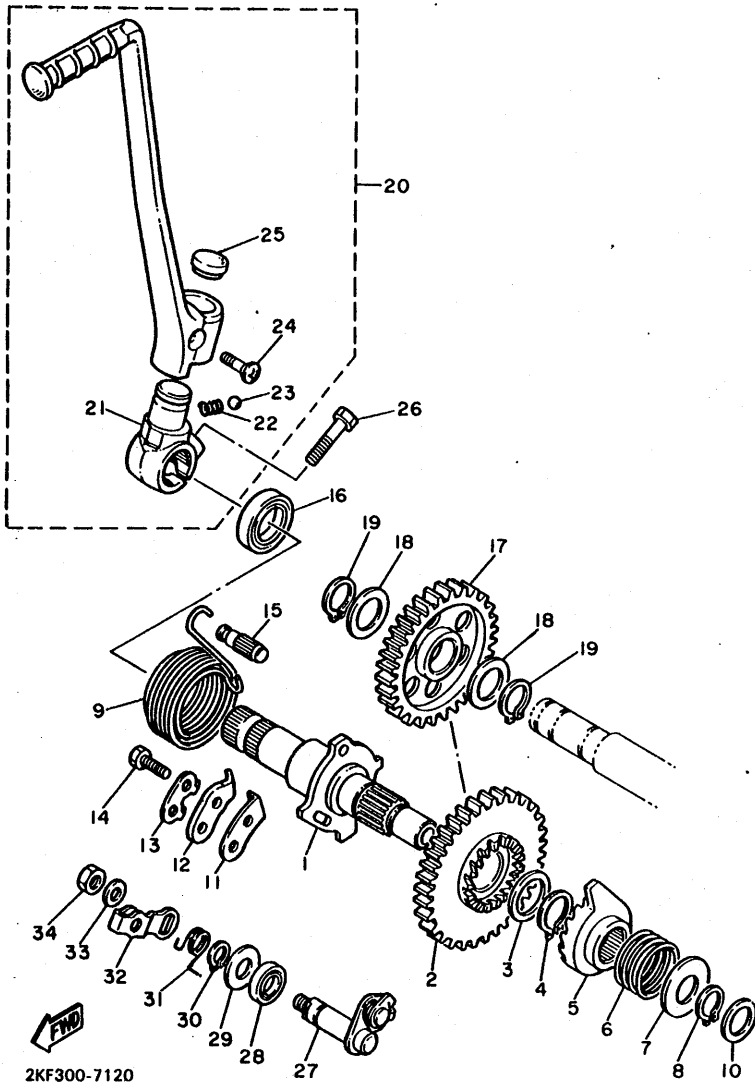


REF. NO.	PART NO.	DESCRIPTION	Q'TY	REMARKS
29	5Y1-1562F-01	PLATE, decomp	1	

FWD
5Y1110-3110

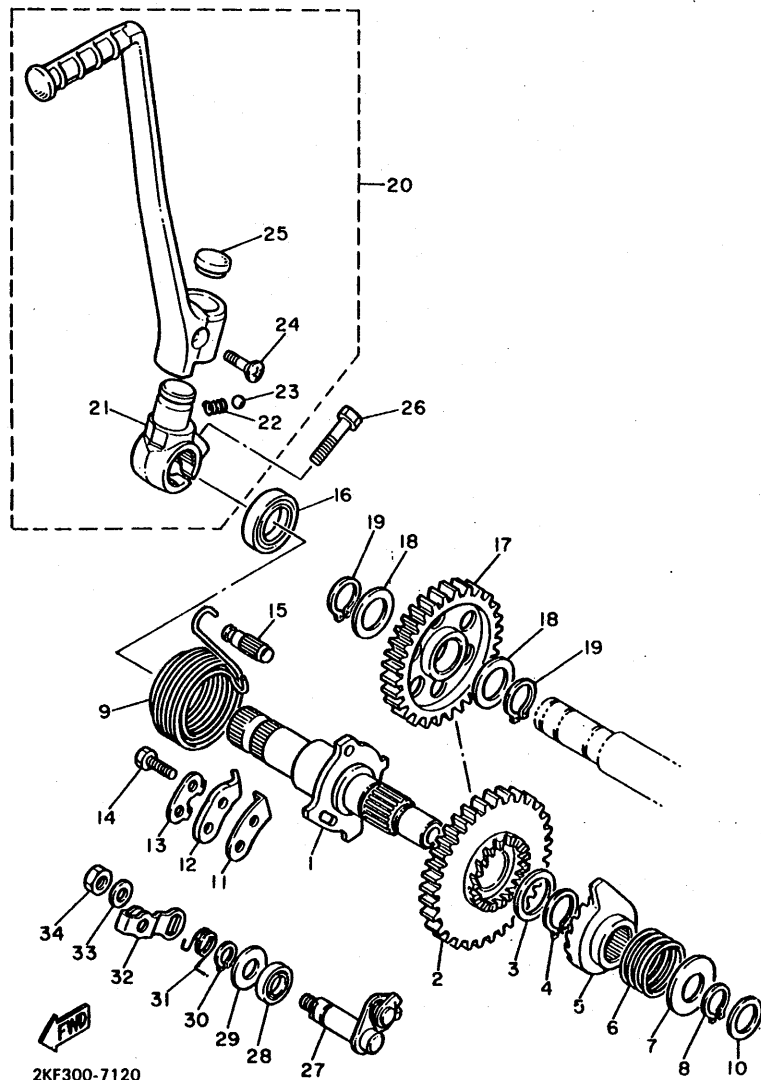
C4

FIG. 12 STARTER



REF. NO.	PART NO.	DESCRIPTION	Q'TY	REMARKS
1	5Y1-15660-01	KICK AXLE ASSY	1	
2	34K-15641-00	GEAR, kick (35T)	1	
3	90201-20685	WASHER, plate (0.6T)	1	
4	93410-20038	CIRCLIP	1	
5	5Y1-15671-01	WHEEL, ratchet	1	
6	90501-16107	SPRING, compression	1	
7	90201-155K6	WASHER, plate	1	
8	99009-15400	CIRCLIP	1	
9	90508-32529	SPRING, torsion	1	
10	90201-15701	WASHER, plate (1.0T)	1	
11	2NX-15668-00	STOPPER	1	
12	214-15674-00	GUIDE, ratchet wheel	1	
13	214-15686-00	WASHER, lock	1	
14	97321-06016	BOLT	2	
15	248-15668-00	STOPPER	1	
16	93102-20108	OIL SEAL	1	
17	5Y1-15651-01	GEAR, kick idle	1	
18	90201-20276	WASHER, plate (1.0T)	2	
19	99009-20400	CIRCLIP	2	
20	5Y1-15620-02	KICK CRANK ASSY	1	
21	5Y1-15621-01	.BOSS, kick crank	1	
22	90501-12081	.SPRING, compression	1	
23	93507-32031	.BALL	1	
24	90152-06010	.SCREW, countersunk	1	
25	90336-18038	.PLUG, taper	1	
26	97313-08030	BOLT	1	
27	3Y1-1561A-02	DECOMP. LEVER ASSY	1	
28	93102-10207	OIL SEAL (SD 10-21-5 HS)	1	

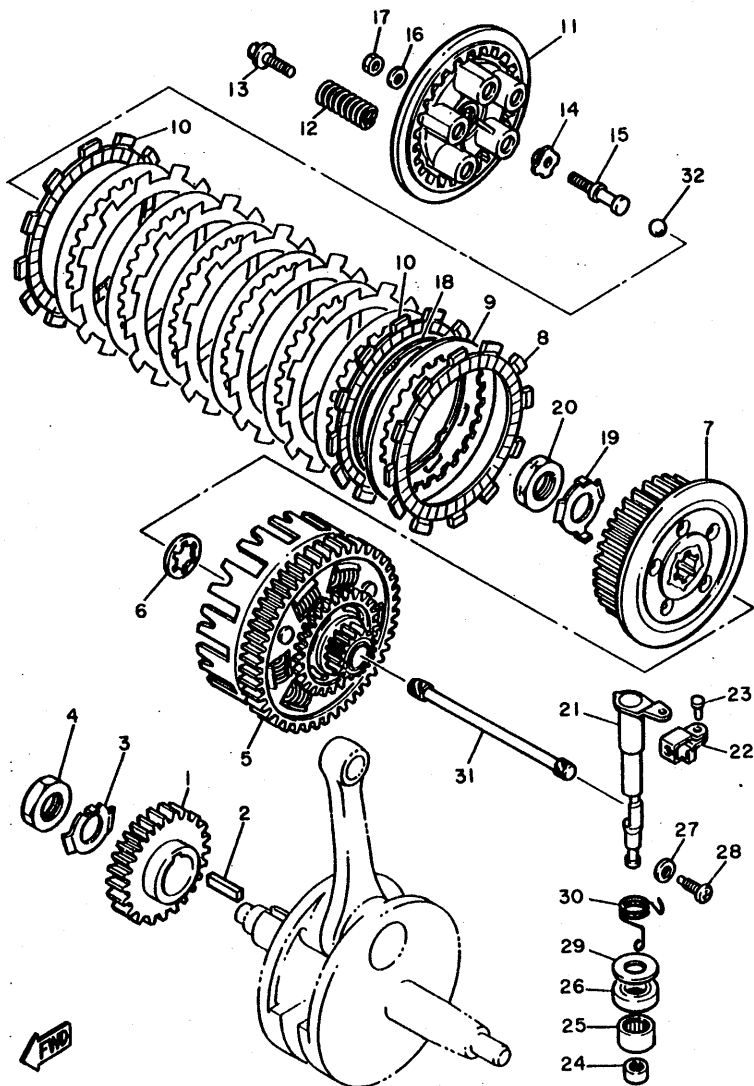
FIG. 12 STARTER



2KF300-7120

REF. NO.	PART NO.	DESCRIPTION	Q'TY	REMARKS
29	90201-105J4	WASHER, plate	1	
30	99009-10400	CIRCLIP	1	
31	90508-14524	SPRING, torsion	1	
32	5Y1-1561G-00	LEVER, cable	1	
33	92901-06600	WASHER, plate	1	
34	95311-06700	NUT	1	

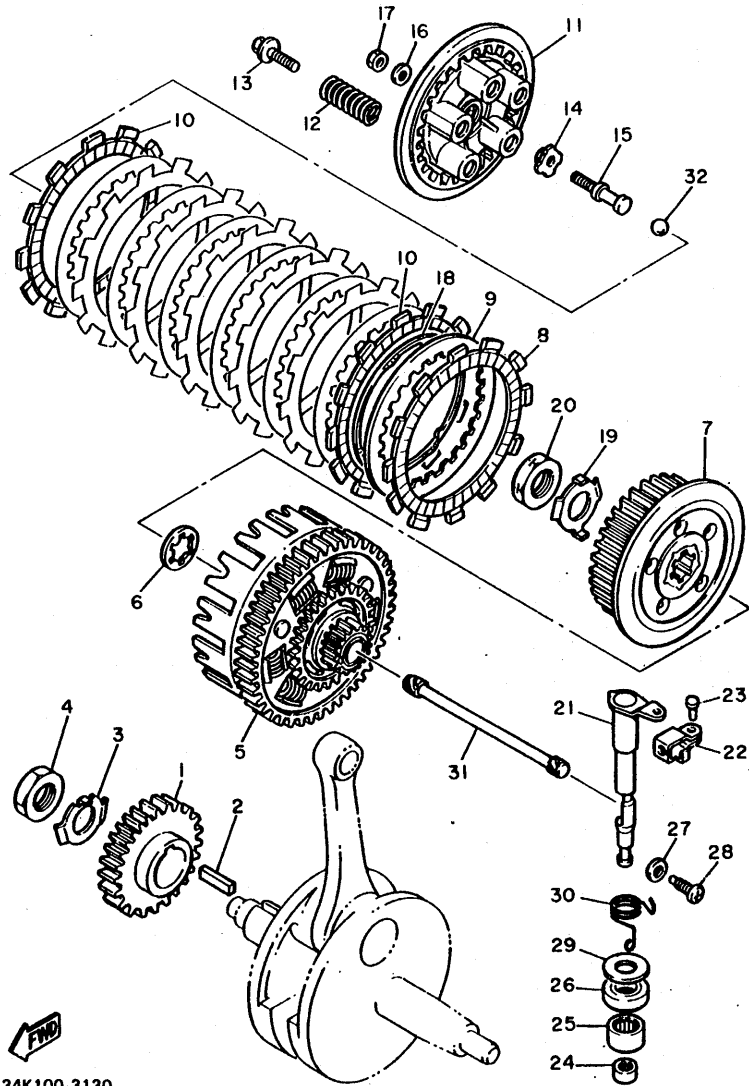
FIG. 13 CLUTCH



REF. NO.	PART NO.	DESCRIPTION	Q'TY	REMARKS
1	34K-16111-00	GEAR, primary drive (31T)	1	
2	90282-07042	KEY, straight	1	
3	90215-20197	WASHER, lock	1	
4	90170-20274	NUT	1	
5	1JK-16150-00	PRIMARY DRIVEN GEAR COMP. (74T)	1	
6	3Y1-16154-00	PLATE, thrust 1	1	
7	34K-16371-00	BOSS, clutch	1	
8	5Y1-16321-00	PLATE, friction	6	
9	360-16325-00	PLATE, clutch 2	7	
10	5Y1-16331-01	PLATE, friction 2	2	
11	5Y1-16351-00	PLATE, pressure 1	1	
12	90501-26148	SPRING, compression	5	
13	90159-06016	SCREW, with washer	5	
14	30X-16358-00	PLATE, push	1	
15	34K-16356-00	ROD, push 1	1	
16	92901-06200	WASHER, plain	1	
17	95303-06600	NUT	1	
18	5Y1-16383-00	SPRING, clutch boss	1	
19	90215-20231	WASHER, lock	1	
20	90170-20327	NUT	1	
21	5Y1-16381-00	PUSH LEVER COMP.	1	
22	214-16389-00	JOINT	1	
23	90243-06016	PIN	1	
24	93317-11020	BEARING, cylindrical	1	
25	93315-11720	BEARING, cylindrical	1	
26	93102-17357	OIL SEAL	1	
27	90201-08087	WASHER, plate	1	
28	90149-08067	SCREW	1	

34K100-3130

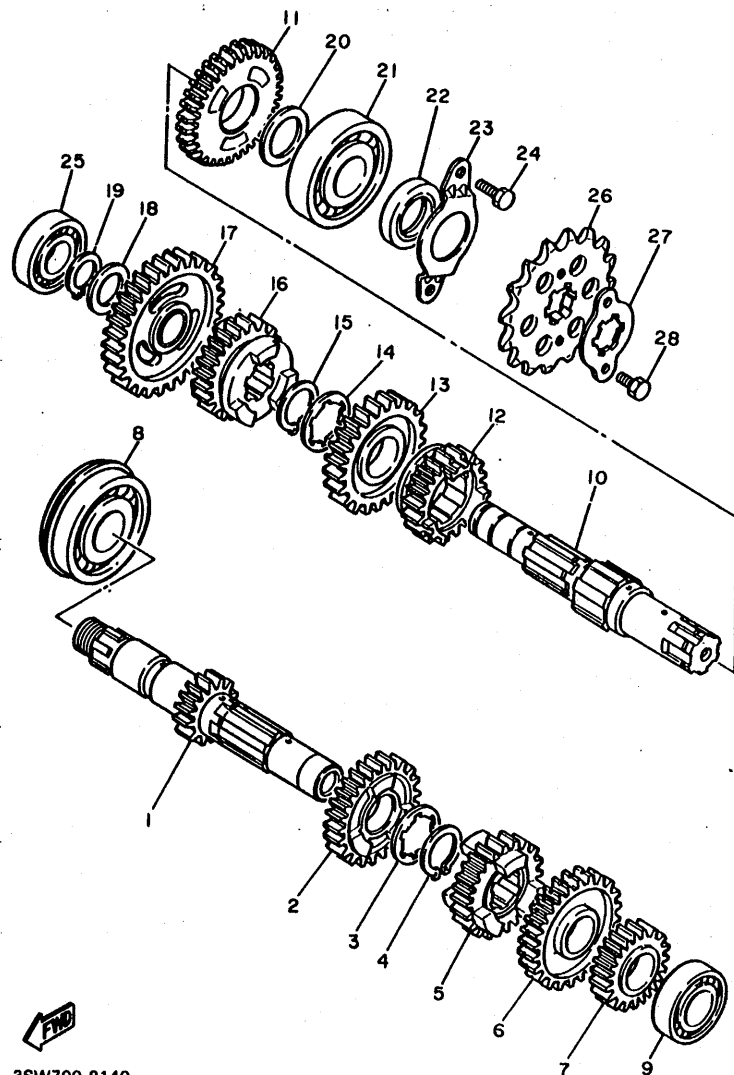
FIG. 13. CLUTCH



34K100-3130

REF. NO.	PART NO.	DESCRIPTION	Q'TY	REMARKS
29	90201-17327	WASHER, plate	1	
30	90508-14526	SPRING, torsion	1	
31	5Y1-16357-00	ROD, push 2	1	
32	93515-32029	BALL	1	

FIG. 14 TRANSMISSION



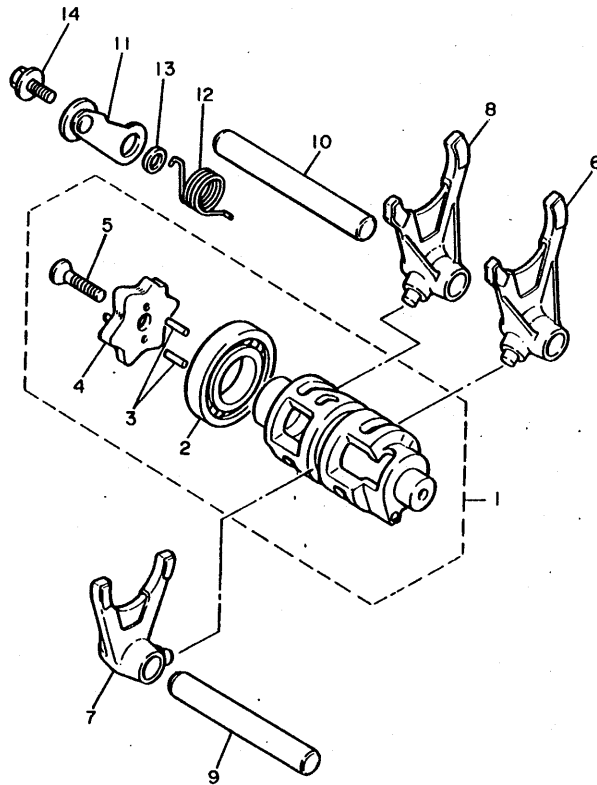
REF. NO.	PART NO.	DESCRIPTION	Q'TY	REMARKS
1	5Y1-17411-00	AXLE, main (13T)	1	
2	34K-17141-00	GEAR, 4th pinion (22T)	1	
3	90209-22191	WASHER	1	
4	93440-25084	CIRCLIP	1	
5	1VJ-17131-00	GEAR, 3rd pinion (20T)	1	
6	2JT-17151-01	GEAR, 5th pinion	1	
7	34K-17121-01	GEAR, 2nd pinion (17T)	1	
8	93306-30540	BEARING (6305NRX1C3)	1	
9	93306-00431	BEARING	1	
10	34K-17402-01	DRIVE AXLE ASSY	1	
11	2JT-17221-00	GEAR, 2nd wheel (27T)	1	
12	2JT-17251-10	GEAR, 5th wheel	1	
13	1VJ-17231-00	GEAR, 3rd wheel (24T)	1	
14	90209-22191	WASHER	1	
15	93440-25084	CIRCLIP	1	
16	55U-17241-00	GEAR, 4th wheel (21T)	1	
17	34K-17211-00	GEAR, 1st wheel (30T)	1	
18	90201-20276	WASHER, plate (1.0T)	1	
19	99009-20400	CIRCLIP	1	
20	117-15644-00	SHIM	1	
21	93306-30535	BEARING	1	
22	93102-25226	OIL SEAL	1	
23	5Y1-17471-00	PLATE, cover	1	
24	97321-06014	BOLT	2	
25	93306-00426	BEARING	1	
26	93834-14052	SPROCKET,drive 14t (34K1746140)	1	
27	3Y1-17456-00	HOLDER, sprocket	1	
28	97021-06010	BOLT	2	



3SW700-9140

C9

FIG. 15 SHIFT CAM • FORK

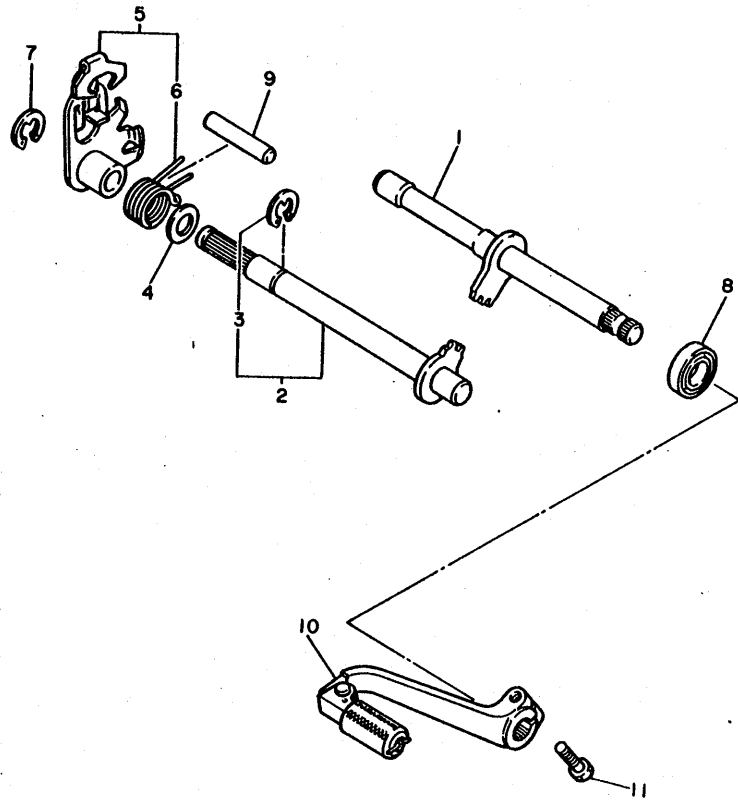


REF. NO.	PART NO.	DESCRIPTION	QTY	REMARKS
1	5Y1-18540-00	SHIFT CAM ASSY	1	
2	93316-00503	•BEARING, cylindrical	1	
3	93604-10011	•PIN, dowel	2	
4	5Y1-18185-00	•SEGMENT	1	
5	90151-06017	•SCREW, countersunk	1	
6	5Y1-18511-00	FORK, shift 1	1	
7	5Y1-18512-00	FORK, shift 2	1	
8	5Y1-18513-00	FORK, shift 3	1	
9	34K-18531-00	BAR, shift fork guide 1	1	
10	34K-18535-00	BAR, shift fork guide 2	1	
11	34K-18140-00	STOPPER LEVER ASSY	1	
12	90508-29527	SPRING, torsion	1	
13	90387-063F7	COLLAR	1	
14	90159-06078	SCREW, with washer	1	



34K100-3150

FIG. 16 SHIFT SHAFT



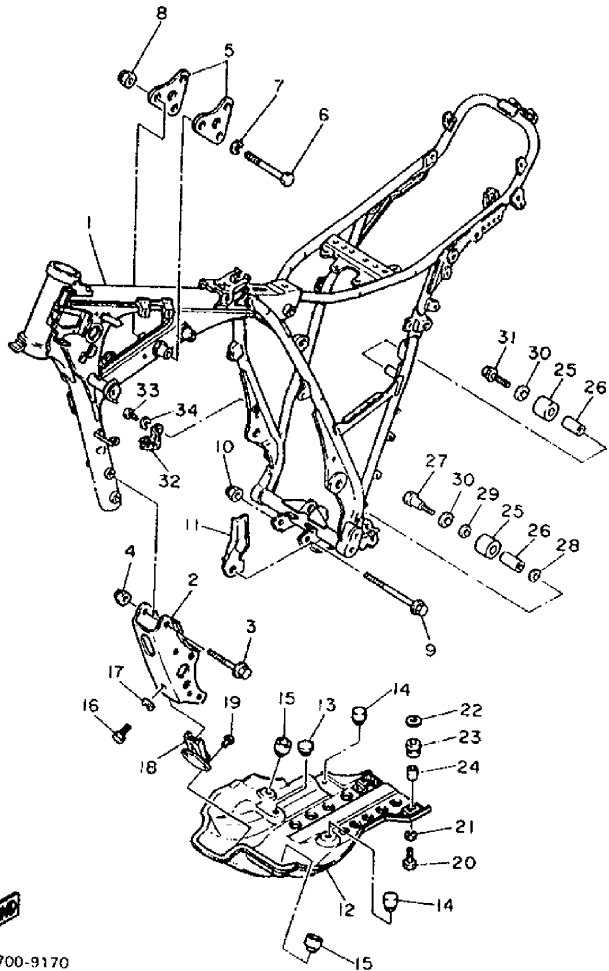
REF. NO.	PART NO.	DESCRIPTION	Q'TY	REMARKS
1	43F-18102-01	SHIFT SHAFT ASSY 2	1	
2	5Y1-18101-01	SHIFT SHAFT ASSY	1	
3	99001-10600	.CIRCLIP	1	
4	90201-12474	WASHER, plate	1	
5	34K-18120-00	SHIFT LEVER ASSY	1	
6	90508-29629	.SPRING, torsion	1	
7	99001-09600	CIRCLIP	1	
8	93102-12106	OIL SEAL (SD 12-22-5 HS)	1	
9	93608-33046	PIN, dowel	1	
10	34K-18110-02	SHIFT PEDAL ASSY	1	
11	97011-06025	BOLT	1	



55U110-5160

C11

FIG. 17 FRAME

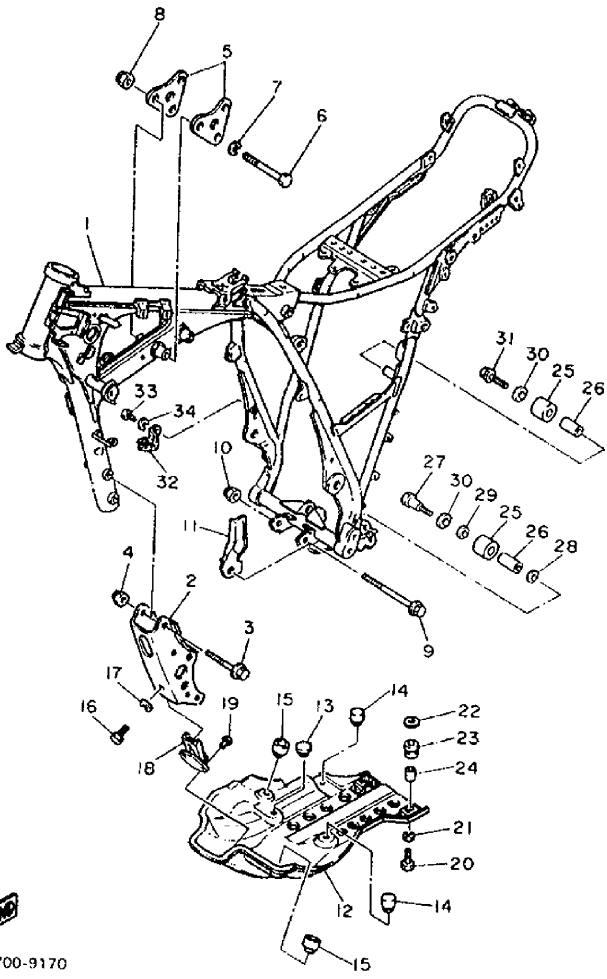


3SW700-9170

REF. NO.	PART NO.	DESCRIPTION	Q'TY	REMARKS
1	3SW-21110-00-UJ	FRAME COMP.	1	RADICAL WHITE
2	34L-21316-00-UJ	STAY, engine 3	1	RADICAL WHITE
3	90105-10286	BOLT, washer based	4	
4	90185-10080	NUT, self-locking	4	
5	34K-21315-00	STAY, engine 2	2	
6	97011-10080	BOLT	3	
7	92901-10100	WASHER, spring	3	
8	90185-10080	NUT, self-locking	3	
9	95811-10110	BOLT, flange	1	
10	90185-10080	NUT, self-locking	1	
11	3SW-2176E-00	PLATE	1	
12	34L-21471-00	PROTECTOR, engine	1	
13	2J5-21732-00	SEAL 1	1	
14	4N0-27114-00	STOPPER, main stand	2	
15	34L-21485-00	DAMPER, rubber 1	2	
16	97016-08016	BOLT	1	
17	92906-08100	WASHER, spring	1	
18	34L-21486-00	DAMPER 2	1	
19	90267-48079	RIVET, blind	2	
20	97001-06025	BOLT	2	
21	92906-06100	WASHER, spring	2	
22	90201-06087	WASHER, plate	2	
23	90480-14229	GROMMET	2	
24	90387-060A7	COLLAR	2	
25	30X-22178-00	TENSIONER	2	
26	4V4-22184-00	BUSH	2	
27	90109-08705	BOLT	1	
28	90201-13202	WASHER, plate	1	

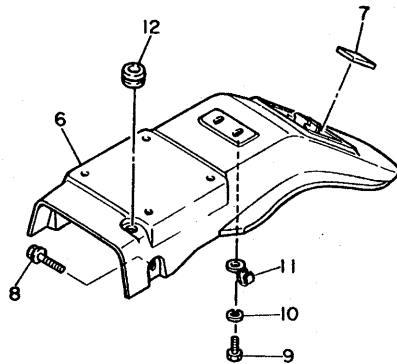
FIG. 17 FRAME

REF. NO.	PART NO.	DESCRIPTION	Q'TY	REMARKS
29	90387-085E1	COLLAR	1	
30	90201-08753	WASHER, plate	2	
31	95801-08016	BOLT, flange	1	
32	5Y1-21441-00	BRACKET, stop switch	1	
33	92501-06012	SCREW, pan head	1	
34	92990-06100	WASHER, spring	1	

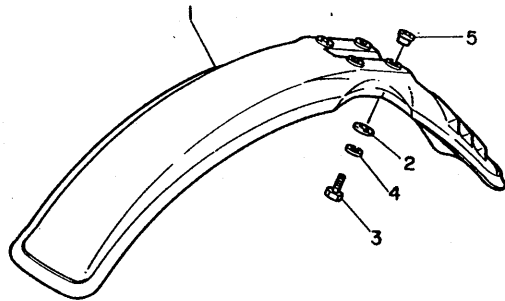


35W700-9170

FIG. 18 FENDER

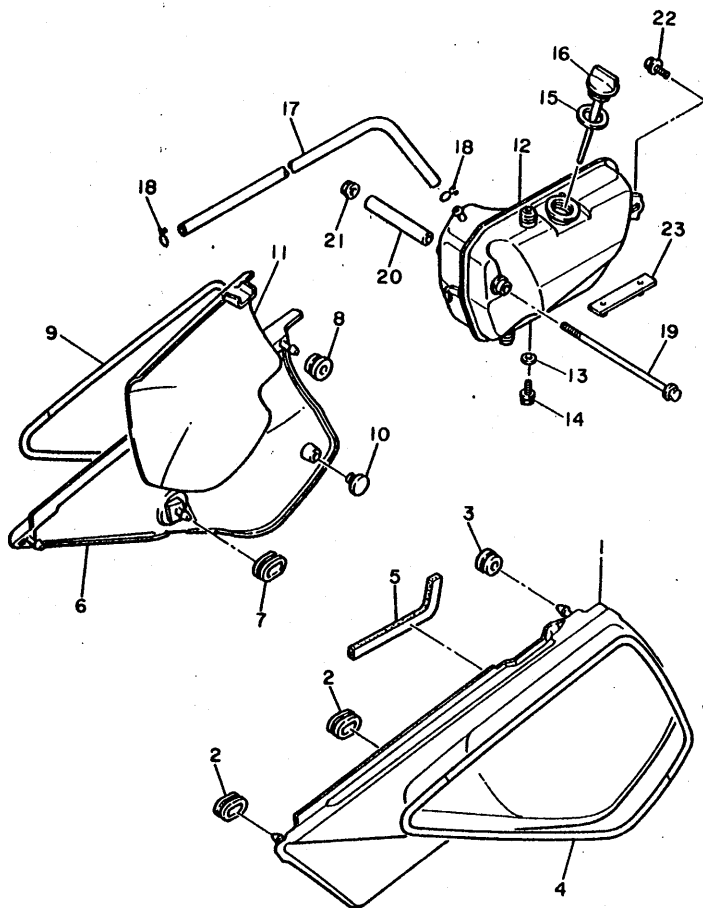


REF. NO.	PART NO.	DESCRIPTION	Q'TY	REMARKS
1	34K-21511-00	FENDER, front	1	CLEAN WHITE
2	90201-06067	WASHER, plate	4	
3	97011-06020	BOLT	4	
4	92990-06100	WASHER, spring	4	
5	90209-06187	WASHER	4	
6	36A-21610-00	REAR FENDER COMP.	1	CLEAN WHITE
7	2H7-21628-00	DAMPER, mud guard	1	
8	90119-06056	BOLT, with washer	3	
9	97313-06016	BOLT	1	
10	92990-06100	WASHER, spring	1	
11	34K-21615-00	WASHER, special 1	1	
12	90480-13018	GROMMET	1	



55U110-5180

FIG. 19 SIDE COVER • OIL TANK

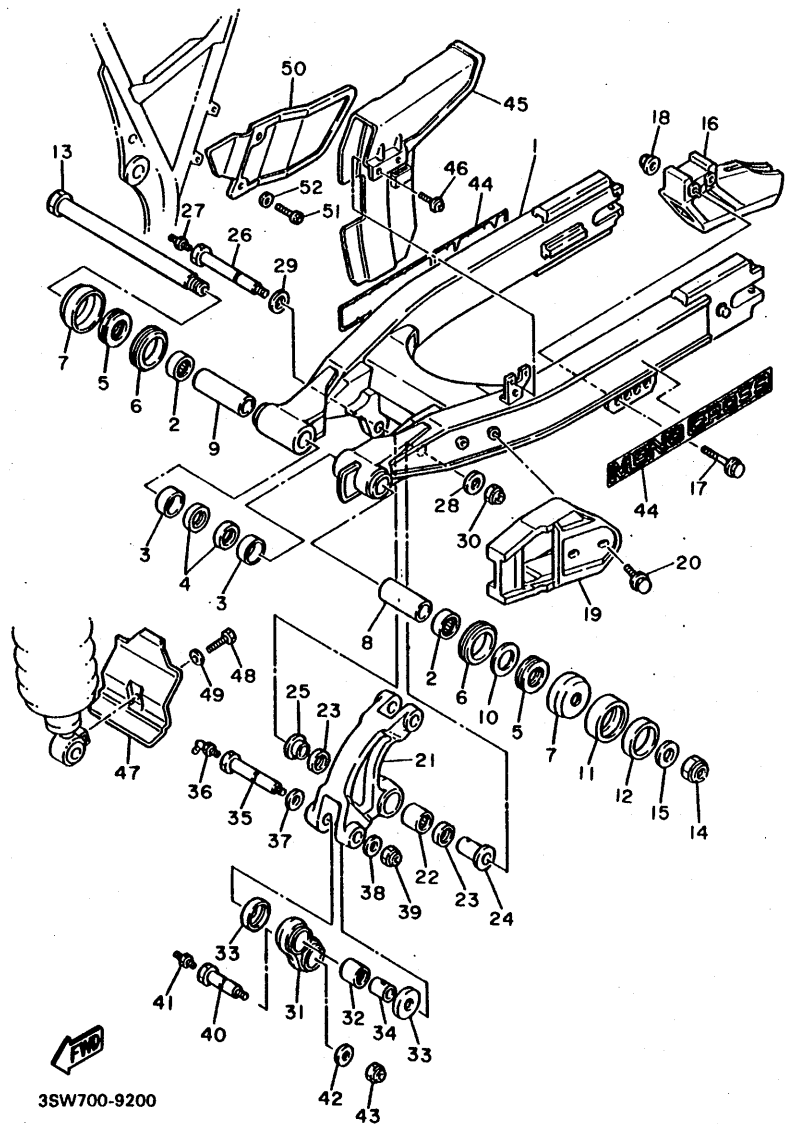


REF. NO.	PART NO.	DESCRIPTION	Q'TY	REMARKS
1	34K-21711-00-3X	COVER, side 1	1	LOW GLOSS BLACK/WHITE
2	90480-01401	GROMMET	2	
3	90480-13398	GROMMET	1	
4	2JT-2173L-00	GRAPHIC SET 1	1	
5	34K-21732-00	SEAL 1	1	
6	34K-21721-00	COVER, side 2	1	
7	90480-01401	GROMMET	1	
8	90480-13398	GROMMET	1	
9	2JT-2174L-00	GRAPHIC SET 2	1	
10	30X-24768-00	STOPPER	1	
11	34K-2174A-00	INSULATOR, side cover	1	
12	34K-21751-00	TANK, oil	1	
13	90201-08087	WASHER, plate	1	
14	95801-08012	BOLT, flange	1	
15	90430-27124	GASKET	1	
16	34K-21771-00	BODY, cap	1	
17	90445-11748	HOSE	1	
18	90467-10008	CLIP	2	
19	95826-08205	BOLT, flange	1	
20	90387-081J3	COLLAR	1	
21	95706-08500	NUT, flange	1	
22	95811-08012	BOLT, flange	1	
23	34K-21778-00	DAMPER, locating 1	1	



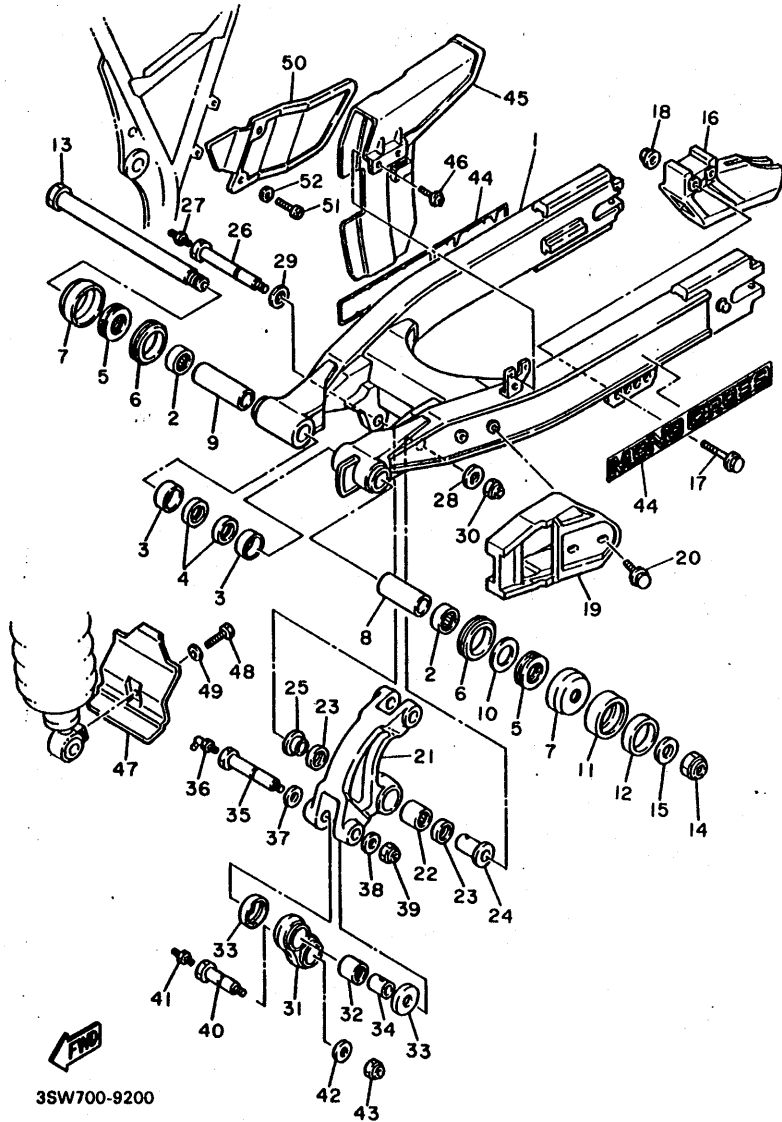
3SW700-9180

FIG. 20 REAR ARM



REF. NO.	PART NO.	DESCRIPTION	Q'TY	REMARKS
1	34K-22110-00	REAR ARM COMP.	1	
2	93317-32231	BEARING, cylindrical	2	
3	90380-22111	BUSH, solid	2	
4	93106-22019	OIL SEAL (DC 22-28-8)	2	
5	93342-22208	BEARING	2	
6	93108-35004	OIL SEAL (35-41-8)	2	
7	3R4-22129-00	COVER, thrust 2	2	
8	90380-16126	BUSH, solid	1	
9	90380-16127	BUSH, solid	1	
10	156-22127-00	SHIM (0.3T)	1	UN
11	5X6-22151-10	SEAL, guard	1	
12	90387-440G3	COLLAR	1	
13	34K-22141-01	SHAFT, pivot	1	
14	90185-14070	NUT, self-locking	1	
15	90201-15238	WASHER, plate	1	
16	23X-22199-00	SUPPORT, chain	1	
17	95801-08055	BOLT, flange	2	
18	95601-08200	NUT, self-locking	2	
19	5X6-22147-01	PROTECTOR, chain	1	
20	95801-06016	BOLT, flange	2	
21	34K-2217A-00	ARM, relay	1	
22	93317-32034	BEARING, cylindrical	1	
23	93109-20029	OIL SEAL	2	
24	90387-147G6	COLLAR	1	
25	90387-147G7	COLLAR	1	
26	90109-12701	BOLT	1	
27	93700-06004	NIPPLE, grease	1	
28	90201-120A5	WASHER, plate	1	

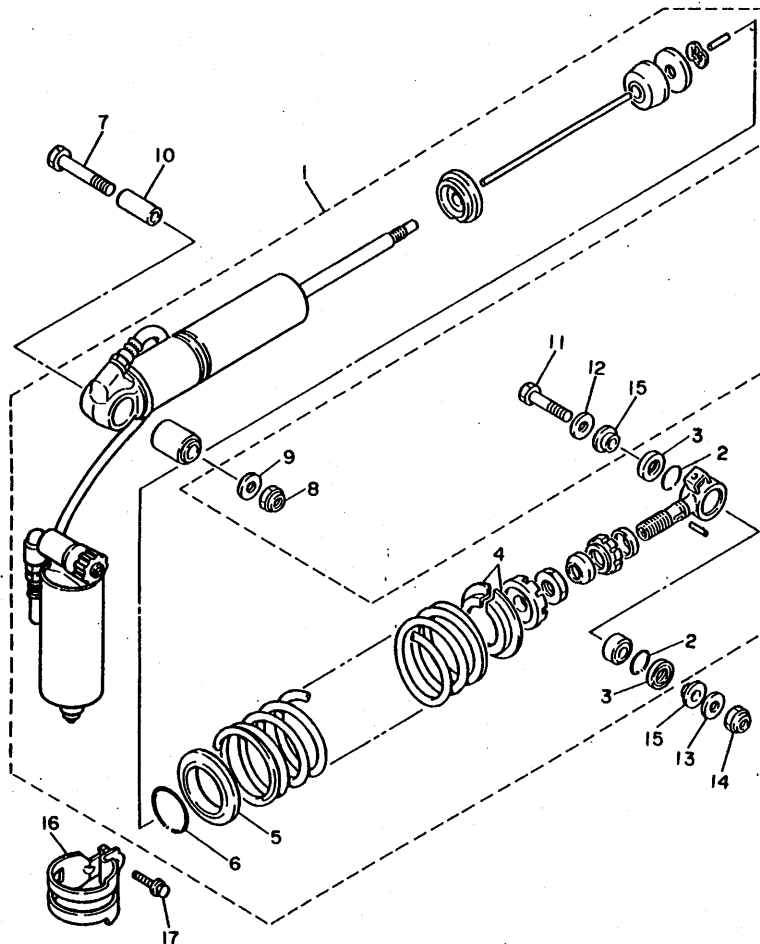
FIG. 20 REAR ARM



35W700-9200

REF. NO.	PART NO.	DESCRIPTION	Q'TY	REMARKS
29	90201-14222	WASHER, plate	1	
30	90185-12119	NUT, self-locking	1	
31	23X-2217F-00	ROD, connecting 1	1	
32	93315-31732	BEARING, cylindrical	2	
33	23X-22129-00	COVER, thrust 2	4	
34	90387-121H1	COLLAR	2	
35	90109-10702	BOLT	1	
36	93700-06005	NIPPLE, grease	1	
37	90201-120E6	WASHER, plate	1	
38	90201-100E9	WASHER, plate	1	
39	90185-10120	NUT, self-locking	1	
40	90109-10703	BOLT	1	
41	93700-06004	NIPPLE, grease	1	
42	90201-100F7	WASHER, plate	1	
43	95611-10100	NUT, u	1	
44	46X-2218A-00	EMBLEM, rear arm	2	
45	34K-22311-00	CASE, chain	1	
46	90159-06058	SCREW, with washer	2	
47	34K-21629-01	GUARD, mud	1	
48	91316-06012	BOLT	1	
49	90201-06059	WASHER, plate	1	
50	29W-22318-00	GUARD, chain	1	
51	92506-06012	SCREW, pan head	2	
52	90201-062A8	WASHER, plate	2	

FIG. 21 REAR SUSPENSION

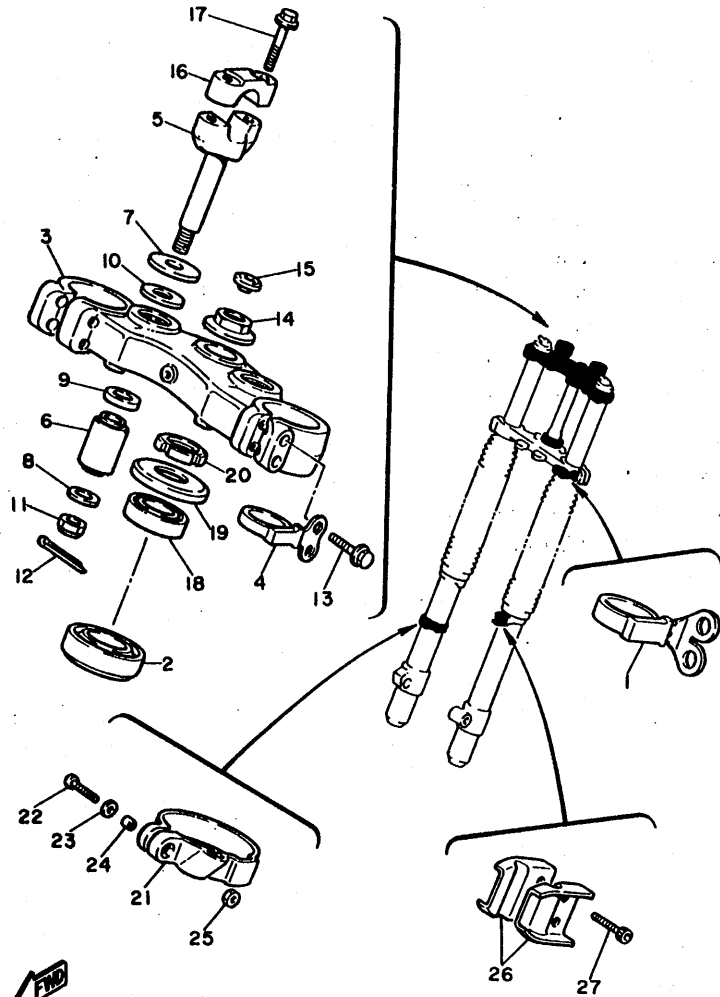


REF. NO.	PART NO.	DESCRIPTION	Q'TY	REMARKS
1	3SW-22210-00-6W	SHOCK ABSORBER ASSY, rear	1	NATIVE RED
2	93440-30113	.CIRCLIP	2	
3	93104-18077	.OIL SEAL	2	
4	30X-22214-00	.GUIDE, spring 1	2	
5	3Y1-22223-00	.SEAT, spring lower	1	
6	93440-48079	.CIRCLIP	1	
7	90109-10690	BOLT	1	
8	90185-10120	NUT, self-locking	1	
9	90201-100F7	WASHER, plate	1	
10	90380-12094	BUSH, solid	1	
11	90109-10700	BOLT	1	
12	90201-120E8	WASHER, plate	1	
13	90201-100E9	WASHER, plate	1	
14	90185-10120	NUT, self-locking	1	
15	90387-126H8	COLLAR	2	
16	34K-22262-00	HOLDER, sub tank	1	
17	95801-06012	BOLT, flange	1	

3SW700-9210

D4

FIG. 22 STEERING

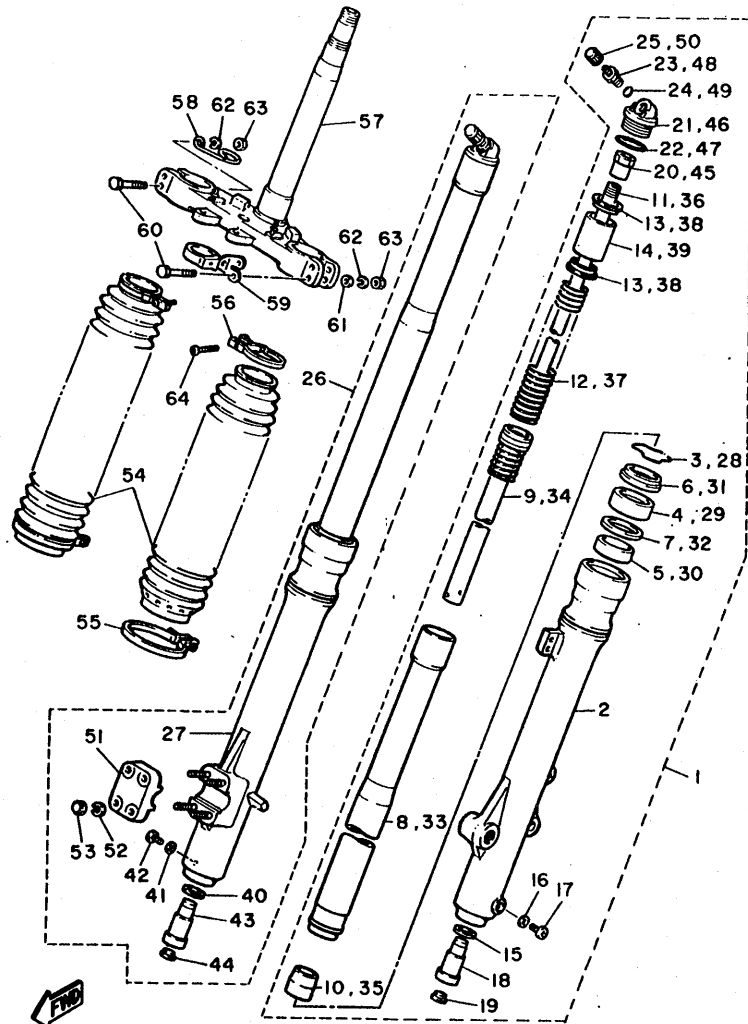


REF. NO.	PART NO.	DESCRIPTION	Q'TY	REMARKS
1	34K-23389-00	GUIDE, cable	1	
2	93332-00008	BEARING	1	
3	23X-23435-00-98	CROWN, handle	1	LOW GLOSS BLACK
4	3R4-23317-00	HOLDER, cable	1	
5	1E6-23442-00	HOLDER, handle lower	2	
6	307-22123-00	BUSH 1	2	
7	90201-123E8	WASHER, plate	2	
8	90201-100A1	WASHER, plate	2	
9	90387-121E8	COLLAR	2	
10	90202-14077	WASHER, plate	2	
11	90185-10037	NUT, self-locking	2	
12	91401-20020	PIN, cotter	2	
13	90105-08091	BOLT, washer based	4	
14	90179-22330	NUT	1	
15	34K-2319U-00	CAP	1	
16	1E6-23441-00	HOLDER, handle upper	2	
17	95811-08035	BOLT, flange	4	
18	93332-00023	BEARING	1	
19	1W1-23416-00	COVER, ball race 2	1	
20	90179-25033	NUT	1	
21	26A-23318-00	HOLDER, cable 1	1	
22	98503-05025	SCREW, pan head	1	
23	92901-05600	WASHER, plate	1	
24	90387-07573	COLLAR	1	
25	95303-05600	NUT	1	
26	90465-14242	CLAMP	2	
27	91316-06012	BOLT	2	

55U110-5220

D5

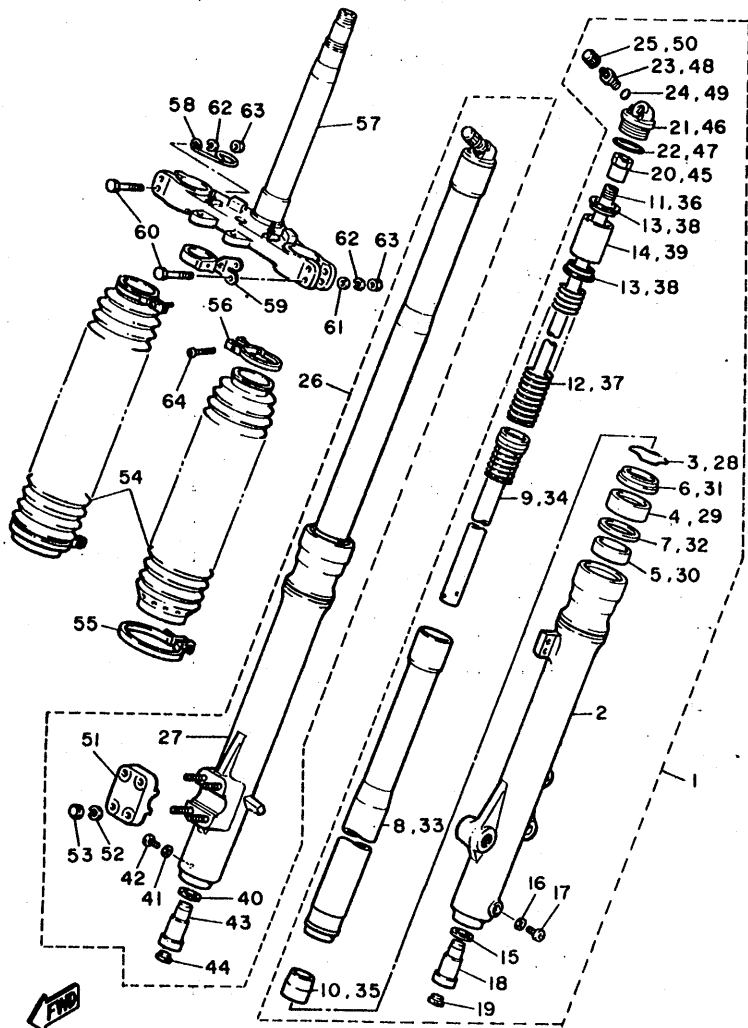
FIG. 23 FRONT FORK



REF. NO.	PART NO.	DESCRIPTION	QTY	REMARKS
1	3SW-23102-00	FRONT FORK ASSY (L.H)	1	
2	2VM-23128-L0	.TUBE, outer 1	1	
3	4V4-23153-L0	.RING, snap	1	
4	2VM-23145-L0	.OIL SEAL	1	
5	4V4-23125-L0	.METAL, slide 1	1	
6	2VM-23144-L0	.SEAL, dust	1	
7	4V4-23146-L0	.WASHER, oil seal	1	
8	2VM-23110-L0	.INNER TUBE COMP.1	1	
9	2VM-23170-L0	.CYLINDER COMP., front fork	1	
10	2VM-23173-L0	.SPINDLE, taper	1	
11	2VM-2314A-M0	.PISTON ROD ASSY	1	
12	2VN-23141-L0	.SPRING, front fork (K=0.35)	1	
13	4V4-23142-L0	.SEAT, spring upper	2	
14	2VN-23118-L0	.SPACER (L=78.5)	1	
15	2HH-23158-L0	.GASKET	1	
16	122-23129-00	.GASKET, drain plug	1	
17	4H7-23119-00	.PLUG, drain	1	
18	2VM-2316A-L0	.VALVE COMP.	1	
19	55Y-2312G-M0	.PLUG	1	
20	90170-10372	.NUT	1	
21	2VM-23111-L0	.BOLT, cap	1	
22	4V4-23188-L0	.O-RING	1	
23	23X-23190-L0	.AIR VALVE COMP.	1	
24	3J2-23147-00	.O-RING	1	
25	2VN-23185-L0	.COVER, valve	1	
26	3SW-23103-00	FRONT FORK ASSY (R.H)	1	
27	3SW-23136-00	.TUBE, outer 2	1	
28	4V4-23153-L0	.RING, snap	1	

3SW700-9230

FIG. 23 FRONT FORK

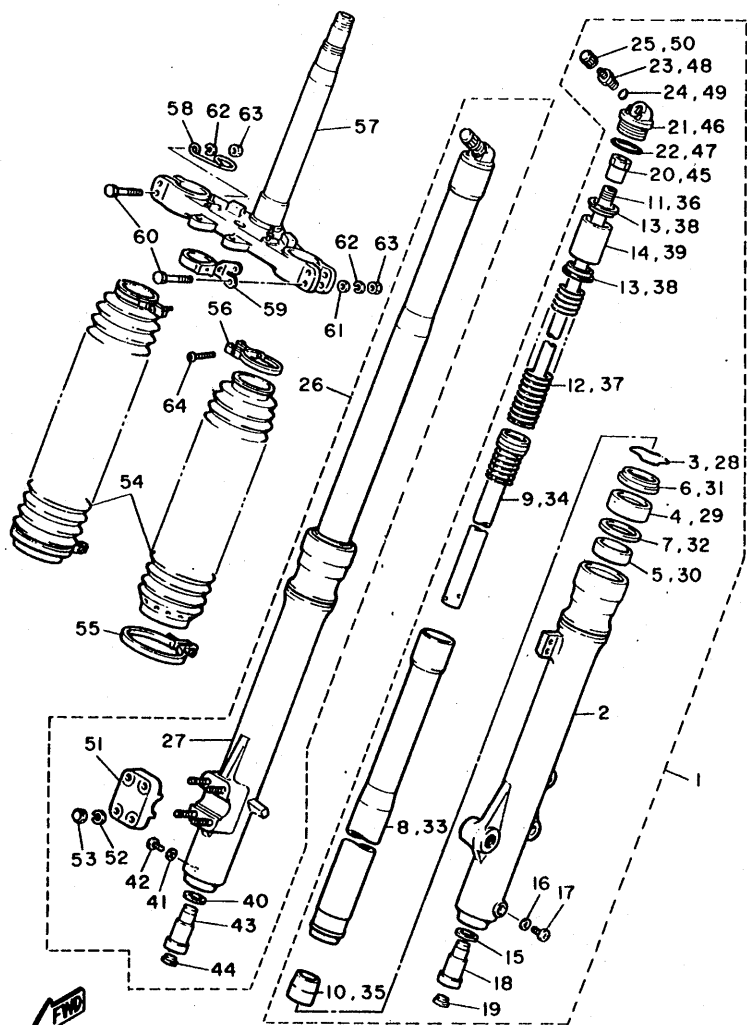


3SW700-9230

REF. NO.	PART NO.	DESCRIPTION	QTY	REMARKS
29	2VM-23145-L0	.OIL SEAL	1	
30	4V4-23125-L0	.METAL, slide 1	1	
31	2VM-23144-L0	.SEAL, dust	1	
32	4V4-23146-L0	.WASHER, oil seal	1	
33	2VM-23110-L0	.INNER TUBE COMP.1	1	
34	2VM-23170-L0	.CYLINDER COMP., front fork	1	
35	2VM-23173-L0	.SPINDLE, taper	1	
36	2VM-2314A-M0	.PISTON ROD ASSY	1	
37	2VN-23141-L0	.SPRING, front fork (K=0.35)	1	
38	4V4-23142-L0	.SEAT, spring upper	2	
39	2VN-23118-L0	.SPACER (L=78.5)	1	
40	2HH-23158-L0	.GASKET	1	
41	122-23129-00	.GASKET, drain plug	1	
42	4H7-23119-00	.PLUG, drain	1	
43	2VM-2316A-L0	.VALVE COMP.	1	
44	55Y-2312G-M0	.PLUG	1	
45	90170-10372	.NUT	1	
46	2VM-23111-L0	.BOLT, cap	1	
47	4V4-23188-L0	.O-RING	1	
48	23X-23190-L0	.AIR VALVE COMP.	1	
49	3J2-23147-00	.O-RING	1	
50	2VN-23185-L0	.COVER, valve	1	
51	1LX-23167-L0	.HOLDER, axle	1	
52	92990-06100	.WASHER, spring	4	
53	5Y3-23393-00	.NUT, special	4	
54	43M-23191-L0	BOOT	2	RED
55	43M-23489-L0	BAND	2	
56	43M-23192-L0	BAND	2	

D7

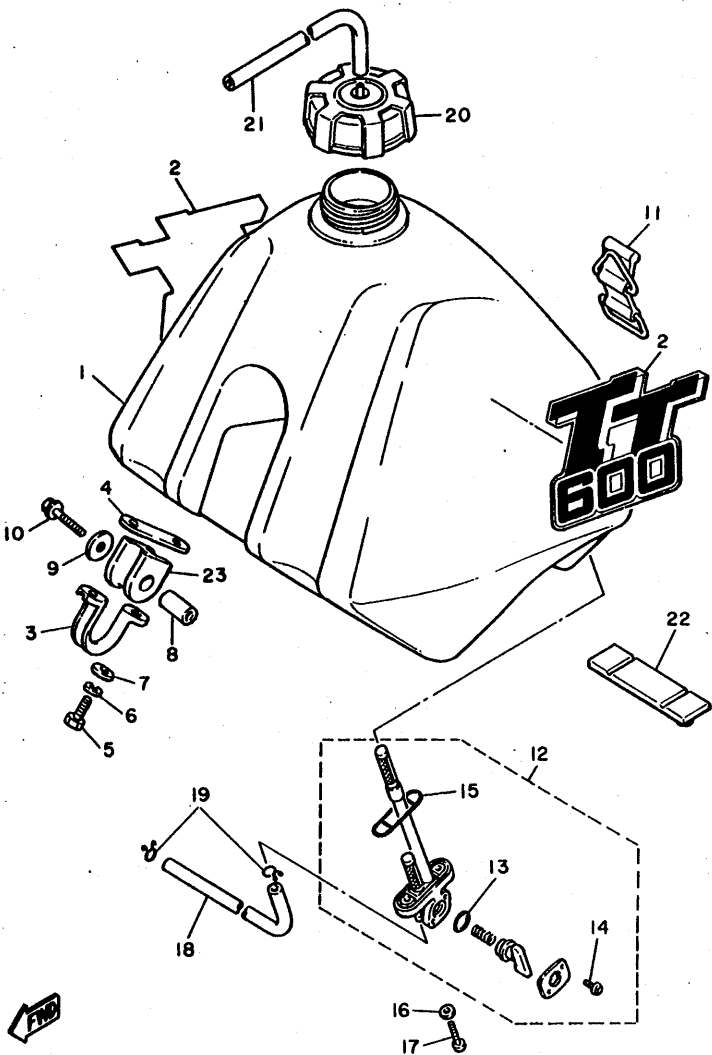
FIG. 23 FRONT FORK



REF. NO.	PART NO.	DESCRIPTION	QTY	REMARKS
57	2JT-23340-00-39	UNDER BRACKET COMP.	1	CLEAR
58	4V5-23389-00	GUIDE, cable	1	
59	34K-23389-00	GUIDE, cable	1	
60	90109-08397	BOLT	4	
61	90201-08544	WASHER, plate	3	
62	92990-08100	WASHER, spring	4	
63	95311-08600	NUT	4	
64	98506-04018	SCREW, pan head	2	

3SW700-9230

FIG. 24 FUEL TANK

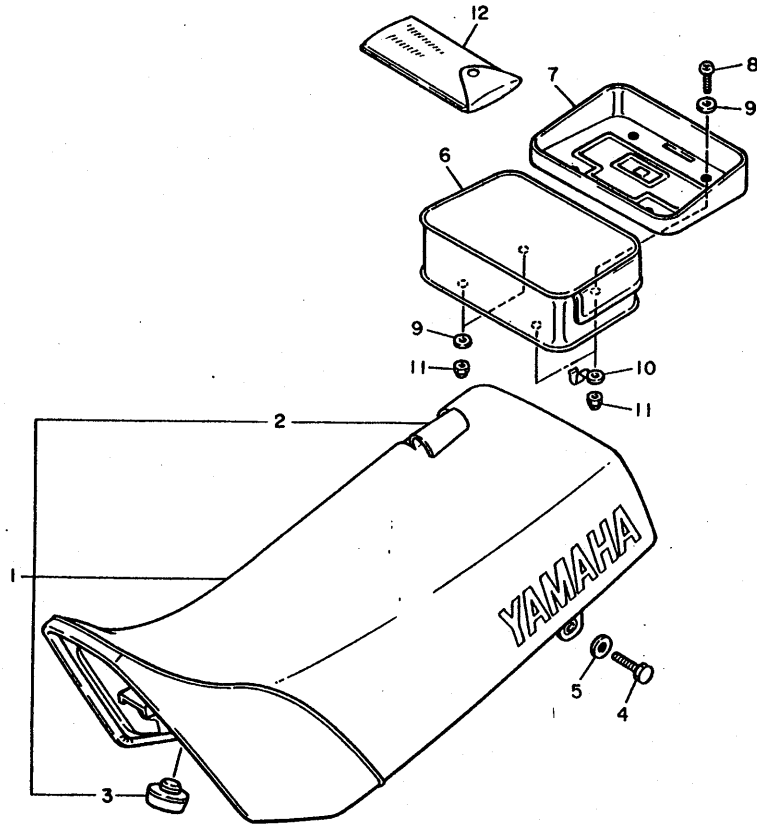


REF. NO.	PART NO.	DESCRIPTION	Q'TY	REMARKS
1	34K-24110-01	FUEL TANK COMP.	1	
2	2JT-24254-00	GRAPHIC, FUEL TANK	2	
3	1W1-24144-01	HOLDER, damper	2	
4	34K-2413X-00	PLATE	2	
5	97313-06016	BOLT	4	
6	92990-06100	WASHER, spring	4	
7	92901-06600	WASHER, plate	4	
8	90387-07393	COLLAR	2	
9	90201-06407	WASHER, plate	2	
10	90119-06022	BOLT, with washer	2	
11	59V-24173-00	BAND, tank fitting 1	1	
12	34K-24500-01	FUEL COCK ASSY 1	1	
13	4X8-24534-00	.SEAL, cock	1	
14	92580-06008	.SCREW, pan head	2	
15	4X8-24512-00	.O-RING	1	
16	90202-06010	WASHER, plate	2	
17	90149-06011	SCREW	2	
18	90445-10466	HOSE	1	
19	90467-09006	CLIP	2	
20	1UY-24610-00	CAP ASSY	1	
21	90445-09777	HOSE	1	
22	34K-24181-00	DAMPER, locating 1	1	
23	1W1-24182-01	DAMPER, locating 2	2	

3SW700-9240

D9

FIG. 25 SEAT



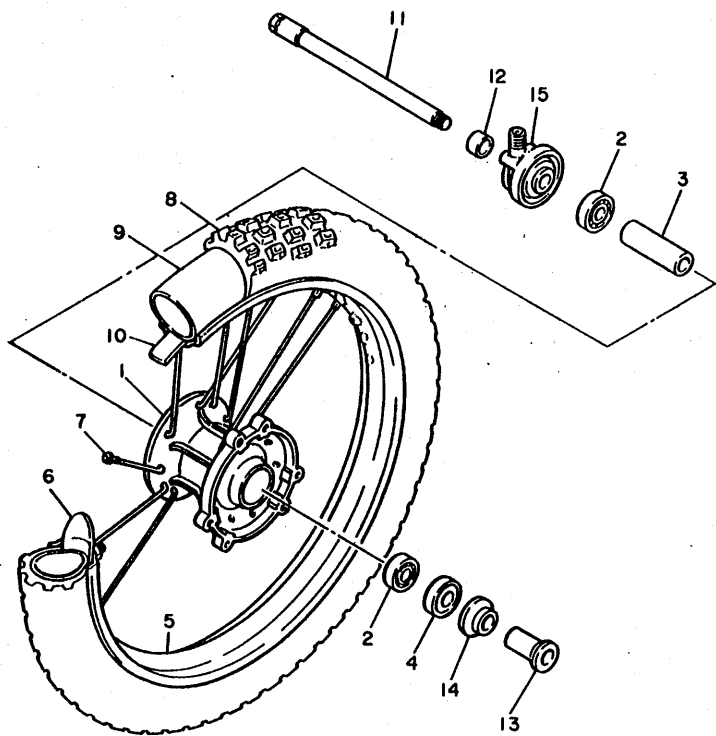
REF. NO.	PART NO.	DESCRIPTION	Q'TY	REMARKS
1	34K-24710-11	SINGLE SEAT ASSY	1	
2	34K-24731-10	.COVER, seat	1	CHAPPY RED
3	1L9-24741-00	.PAD, seat	1	
4	97313-06016	BOLT	2	
5	90201-06M02	WASHER, plate	2	
6	4V5-24850-00	CARRIER BOX ASSY	1	
7	4V5-24833-00	BRACKET, carrier 2	1	
8	92501-06020	SCREW, pan head	4	
9	90201-06571	WASHER, plate	6	
10	34K-21815-00	WASHER, special 1	2	
11	95801-06100	NUT, u	4	
12	1LN-W2810-00	TOOL KIT	1	



3SW700-9250

D10

FIG. 26 FRONT WHEEL



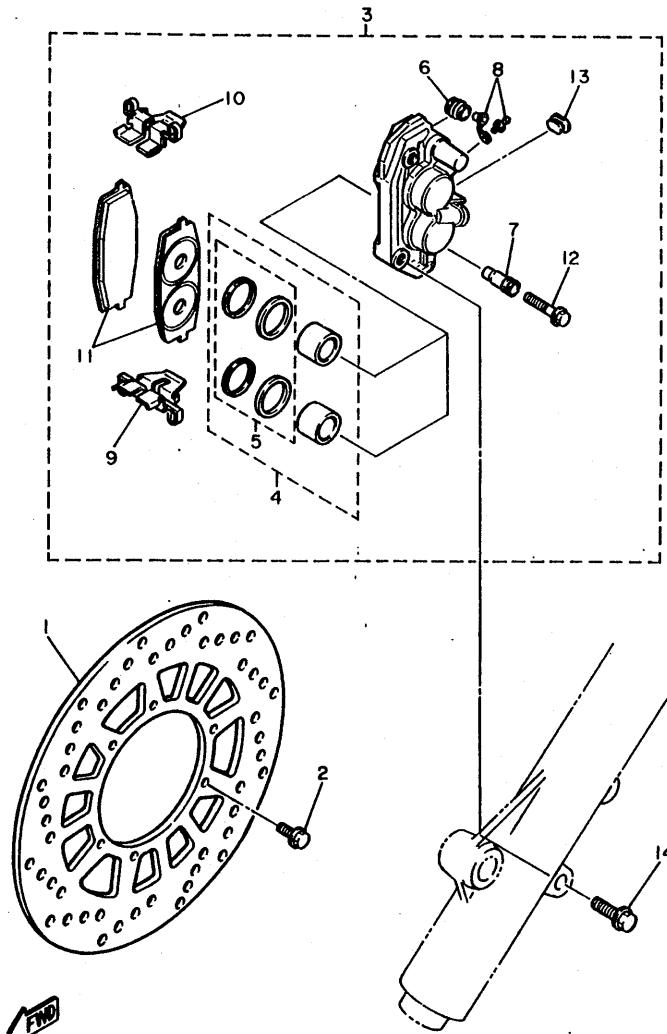
REF. NO.	PART NO.	DESCRIPTION	Q'TY	REMARKS
1	55U-25111-01-98	HUB, front	1	LOW GLOSS BLACK
2	93306-20209	BEARING (B6202)	2	
3	90560-15290	SPACER	1	
4	93102-20281	OIL SEAL (SD 20-35-5)	1	
5	94416-21430	RIM (1.60-21)	1	
6	4V5-25194-00	SPACER, bead	1	
7	55U-25104-00	SPOKE SET, front	1	
8	94110-210G5	TIRE (100/80-21)	1	INOUE
9	94230-21126	TUBE (3.00-21)	1	INOUE
10	94330-21084	BAND, rim (3.00-21)	1	BRIDGESTONE
11	3R4-25181-01	AXLE, wheel	1	
12	90387-157G5	COLLAR	1	
13	90387-15600	COLLAR	1	
14	322-25118-00	COVER, hub dust	1	
15	1W2-25190-00	GEAR UNIT ASSY	1	



3SW700-9280

D11

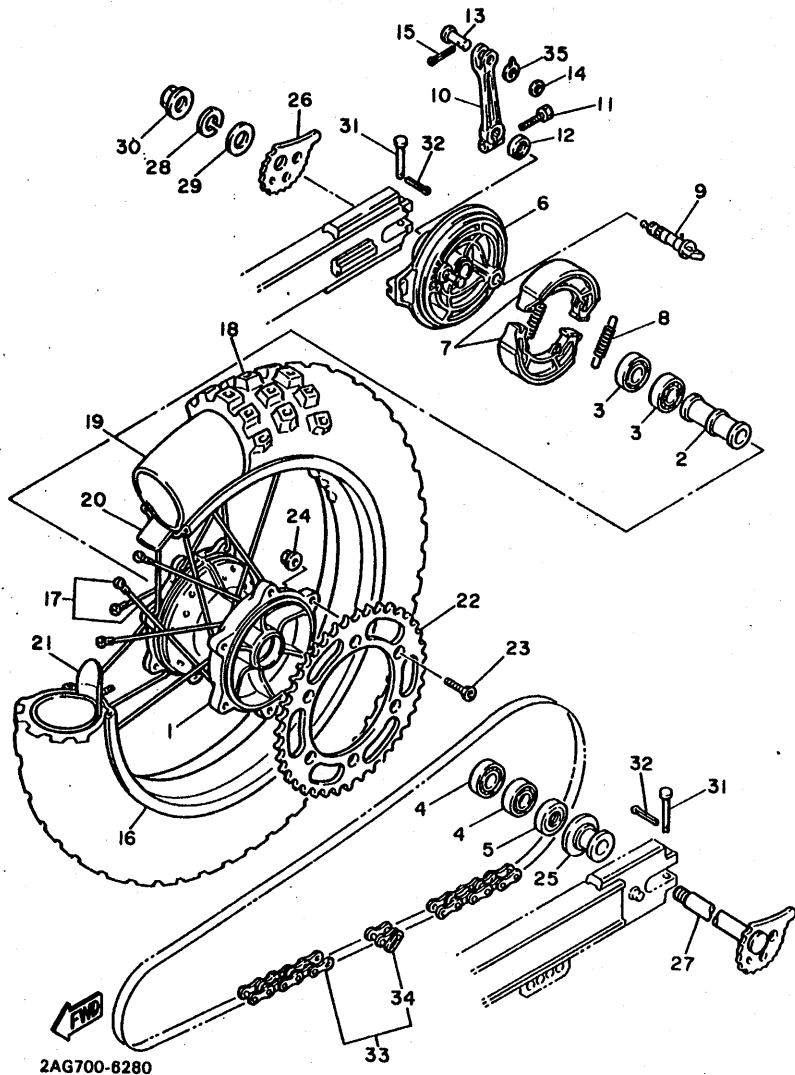
FIG. 27 FRONT BRAKE CALIPER



3SW700-9270

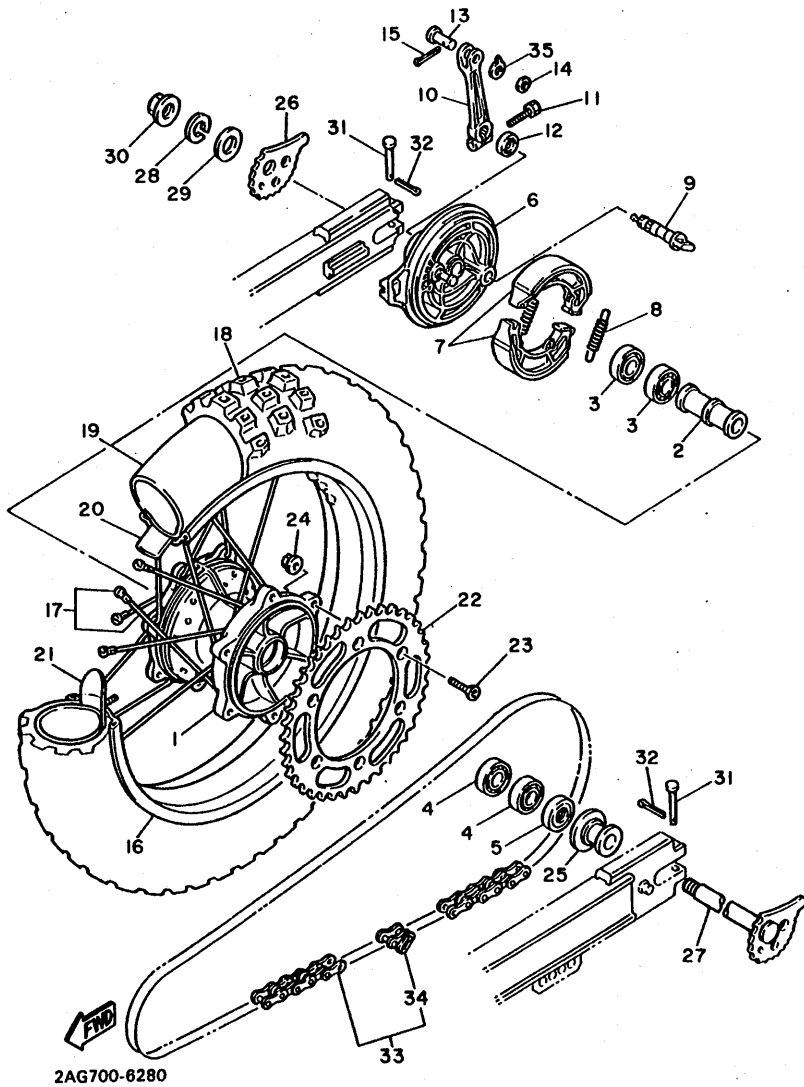
REF. NO.	PART NO.	DESCRIPTION	Q'TY	REMARKS
1	55U-25831-00	DISC, brake (RIGHT)	1	
2	90109-06757	BOLT	6	
3	2HH-2580T-00	CALIPER ASSY (LEFT)	1	
4	56A-W0057-00	.PISTON ASSY, caliper	1	
5	56A-W0047-00	..CALIPER SEAL KIT	1	
6	5R2-25917-00	.BOOT, caliper	1	
7	56A-25937-00	.BOOT 2	1	
8	51L-W0048-00	.BREED SCREW KIT	1	
9	56A-25919-00	.SUPPORT, pad	1	
10	56A-25919-10	.SUPPORT, pad	1	
11	2HH-W0045-01	.BRAKE PAD KIT	1	
12	56A-25926-00	.BOLT	1	
13	34X-25845-00	.CAP, indicator	1	
14	91011-08045	BOLT, flange	2	

FIG. 28 REAR WHEEL



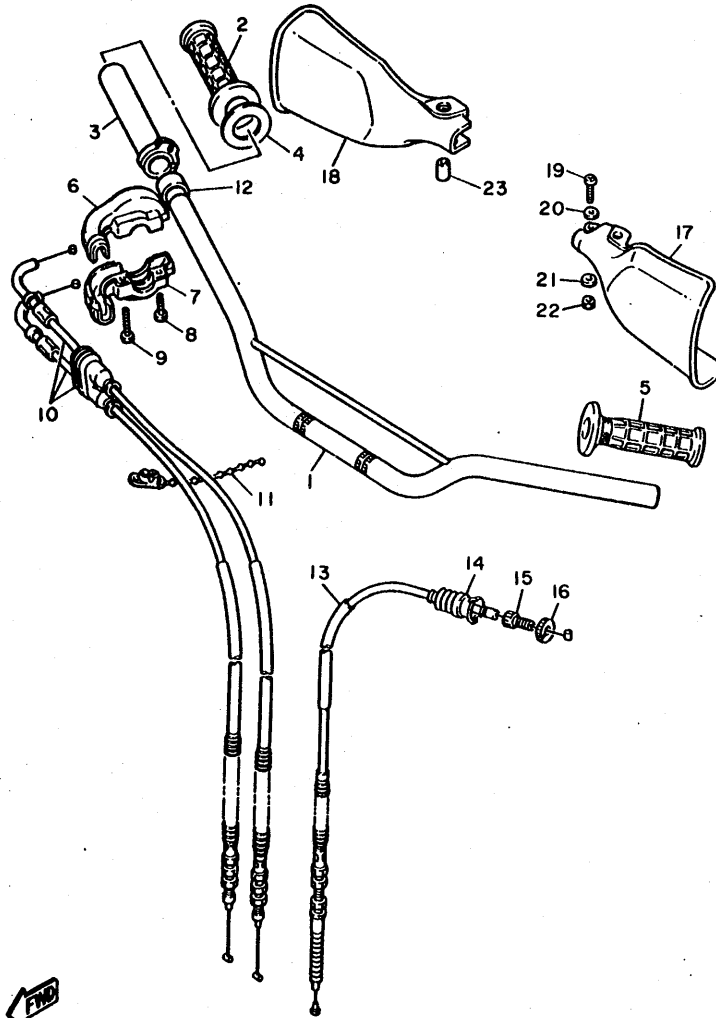
REF. NO.	PART NO.	DESCRIPTION	Q'TY	REMARKS
1	56A-25311-00-98	HUB, rear	1	LOW GLOSS BLACK
2	90560-20226	SPACER	1	
3	93306-00418	BEARING	2	
4	93306-00406	BEARING (B6004Z)	2	
5	93106-28023	OIL SEAL	1	
6	26A-25321-00-98	PLATE, brake shoe	1	LOW GLOSS BLACK
7	3LS-W2536-00	BRAKE SHOE SET	2	
8	90506-16447	SPRING, tension	2	
9	26A-25351-00	CAMSHAFT	1	
10	34L-25355-00	LEVER, camshaft	1	
11	90101-06291	BOLT	1	
12	148-25359-00	SEAL, camshaft	1	
13	1W2-27237-00	PIN, clevis	1	
14	90201-12631	WASHER, plate	1	
15	91401-25022	PIN, cotter	1	
16	94425-18409	RIM (2.50-18)	1	SILVER
17	56A-25304-00	SPOKE SET, rear	1	
18	94114-186G1	TIRE (140/80-18)	1	INOUE
19	94245-18125	TUBE (4.50-18)	1	INOUE
20	94345-18081	BAND, rim (4.50-18)	1	INOUE
21	2X5-25394-00	SPACER, bead	2	
22	26A-25450-50-33	SPROCKET, driven (50T)	1	YAMAHA BLACK
23	90109-08706	BOLT	6	
24	95601-08200	NUT, self-locking	6	
25	26A-25383-00	COLLAR, wheel	1	
26	4V5-25388-01	PULLER, chain 1	1	
27	26A-25381-01	AXLE, wheel	1	
28	92901-18100	WASHER, spring	1	

FIG. 28 REAR WHEEL



REF. NO.	PART NO.	DESCRIPTION	QTY	REMARKS
29	92901-20600	WASHER, wave	1	
30	90179-18332	NUT	1	
31	91701-05045	PIN, clevis	2	
32	91401-16012	PIN, cotter	2	
33	94580-40112	CHAIN (D.I.D.520V.S.112L)	1	
34	94680-50011	JOINT, chain (D.I.D.50HDS)	1	
35	3Y6-2533A-01	PLATE, indicator	1	

FIG. 29 STEERING HANDLE • CABLE



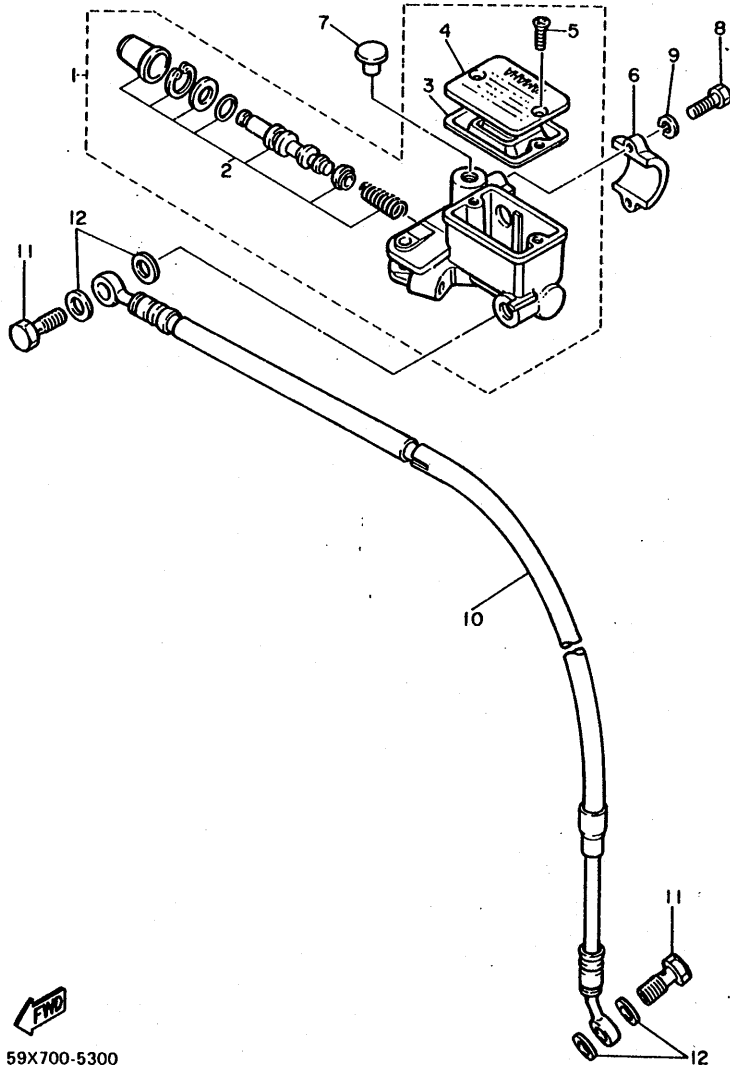
REF. NO.	PART NO.	DESCRIPTION	Q'TY	REMARKS
1	34K-26111-00	HANDLEBAR	1	
2	1LX-26242-01	GRIP (R.H)	1	
3	3Y1-26243-01	TUBE, throttle guide	1	
4	3Y1-26249-00	RING, leaf	1	
5	1LX-26241-01	GRIP	1	
6	34K-26281-00	CAP, grip upper	1	
7	1VJ-26282-00	CAP, grip lower	1	
8	98506-05020	SCREW, pan head	1	
9	98506-05025	SCREW, pan head	1	
10	34K-26302-00	THROTTLE CABLE ASSY	1	
11	90464-20031	CLAMP	1	
12	90387-227H7	COLLAR	1	
13	55U-26335-01	CABLE, clutch	1	
14	1E6-26342-00	BOOT, cable	1	
15	90123-08090	BOLT	1	
16	90179-08401	NUT	1	
17	3Y0-26141-00	GUARD, brush 1	1	CLEAN WHITE
18	34L-26142-10	GUARD, brush 2	1	CLEAN WHITE
19	92501-06014	SCREW, pan head	1	
20	92901-06600	WASHER, plate	1	
21	92901-06200	WASHER, plain	1	
22	95303-06700	NUT	1	
23	90387-06500	COLLAR	1	



3SW700-9290

D15

FIG. 30 FRONT MASTER CYLINDER



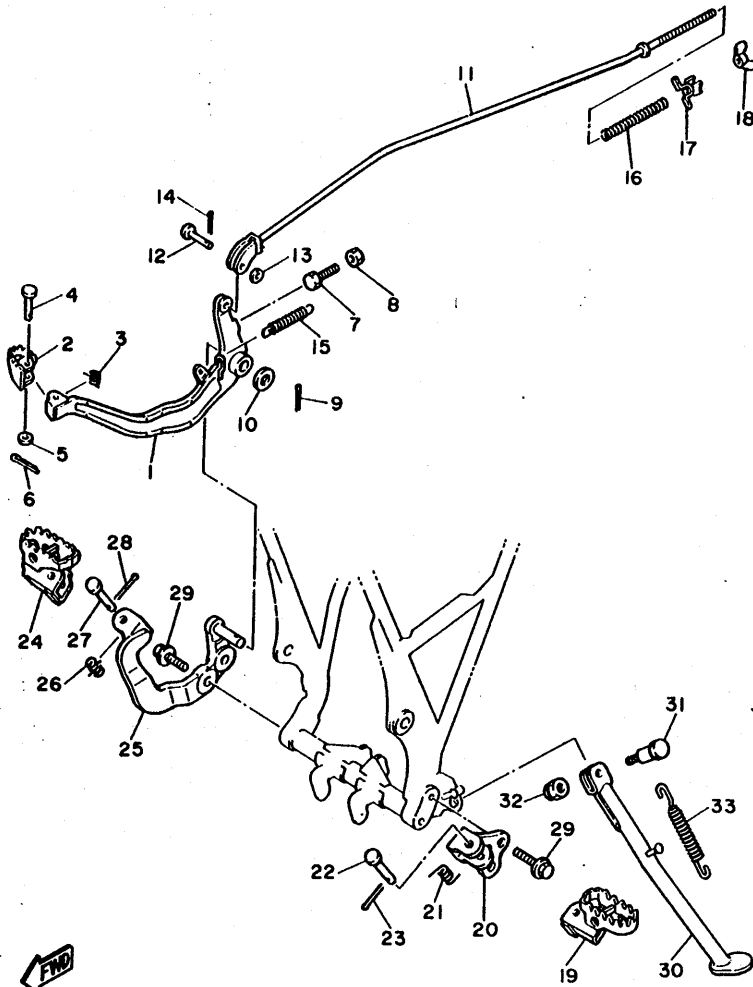
REF. NO.	PART NO.	DESCRIPTION	Q'TY	REMARKS
1	2KF-25850-00	MASTER CYLINDER ASSY	1	
2	59X-W0041-00	.CYLINDER KIT, master	1	
3	55U-25854-00	.DIAPHRAGM, reservoir	1	
4	2KF-25852-01	.CAP, reservoir	1	
5	98506-04012	.SCREW, pan head	2	
6	56A-25867-00	BRACKET, master cylinder	1	
7	90338-09012	PLUG	1	
8	97016-06025	BOLT	2	
9	92906-06100	WASHER, spring	2	
10	59X-25872-00	HOSE, brake 1	1	
11	90401-10034	BOLT, union	2	
12	90201-10118	WASHER, plate	4	



59X700-5300

E2

FIG. 31 STAND • FOOTREST

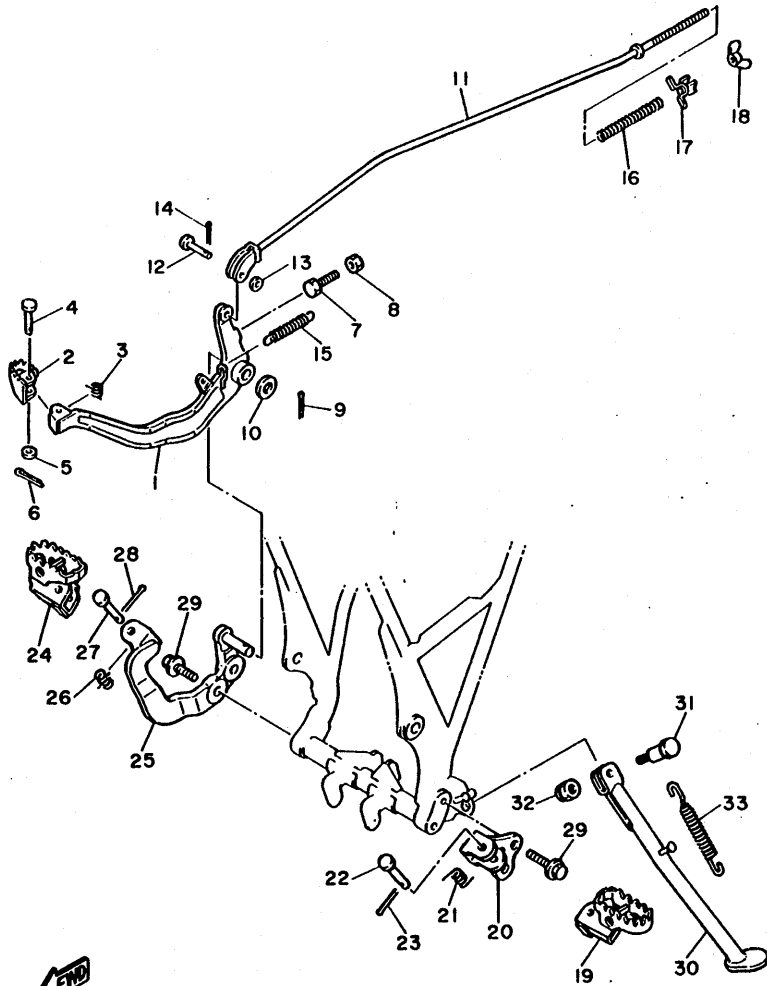


59X700-5310

REF. NO.	PART NO.	DESCRIPTION	Q'TY	REMARKS
1	36A-27211-01-90	PEDAL, brake	1	UNI-CROM (BLACK)
2	3R8-27242-00	PEDAL, brake	1	
3	90508-14429	SPRING, torsion	1	
4	91701-06028	PIN, clevis	1	
5	92901-06600	WASHER, plate	1	
6	91401-20015	PIN, cotter	1	
7	90101-06288	BOLT	1	
8	95303-06600	NUT	1	
9	91401-30020	PIN, cotter	1	
10	90201-14411	WASHER, plate	1	
11	34K-27231-00	ROD, brake	1	
12	90240-06040	PIN, clevis	1	
13	92901-06200	WASHER, plain	1	
14	91401-20015	PIN, cotter	1	
15	90506-18305	SPRING, tension	1	
16	90501-10245	SPRING, compression	1	
17	1W2-27239-00	SEAT, spring	1	
18	90175-06013	NUT, wing	1	
19	23X-27411-02	FOOTREST 1	1	
20	34K-27412-00-R4	BRACKET, footrest 1	1	BLACK
21	90508-20583	SPRING, torsion	1	
22	90240-10101	PIN, clevis	1	
23	91401-25020	PIN, cotter	1	
24	34K-27421-00	FOOTREST 2	1	
25	34K-27422-00-R4	BRACKET, footrest 2	1	BLACK
26	90508-20583	SPRING, torsion	1	
27	90240-10101	PIN, clevis	1	
28	91401-25020	PIN, cotter	1	

E3

FIG. 31 STAND • FOOTREST

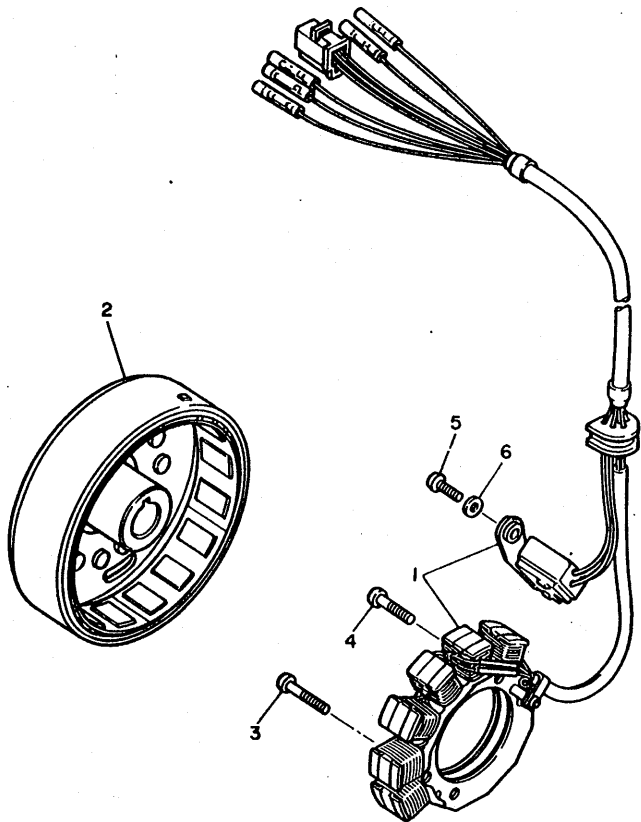


59X700-5310

REF. NO.	PART NO.	DESCRIPTION	Q'TY	REMARKS
29	95811-10025	BOLT, flange	4	
30	55U-27311-00-33	STAND, side	1	YAMAHA BLACK
31	90109-124A7	BOLT	1	
32	90185-12119	NUT, self-locking	1	
33	90507-29008	SPRING, tension	1	

FIG. 32 GENERATOR

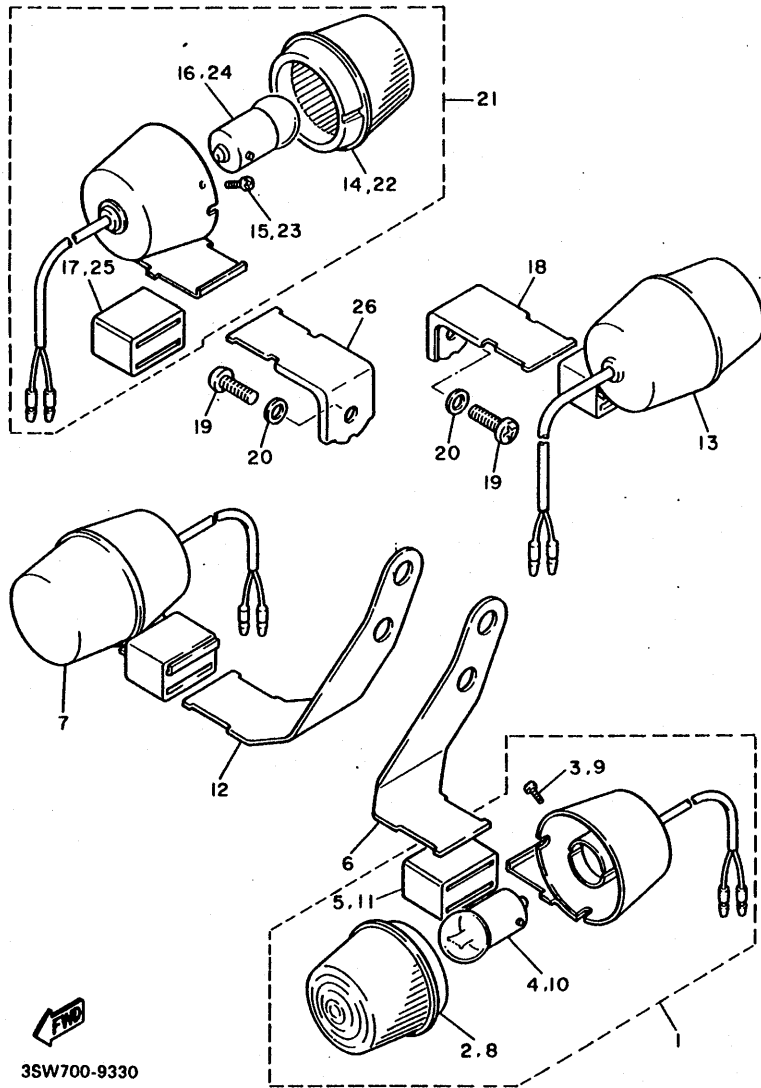
REF. NO.	PART NO.	DESCRIPTION	Q'TY	REMARKS
1	36A-85510-50	STATOR ASSY	1	
2	36A-85550-50	ROTOR ASSY	1	
3	92501-06025	SCREW, pan head	2	
4	92501-06020	SCREW, pan head	2	
5	92501-06012	SCREW, pan head	2	
6	90201-06643	WASHER, plate	2	



3SW700-9320

E5

FIG. 33 FLASHER LIGHT

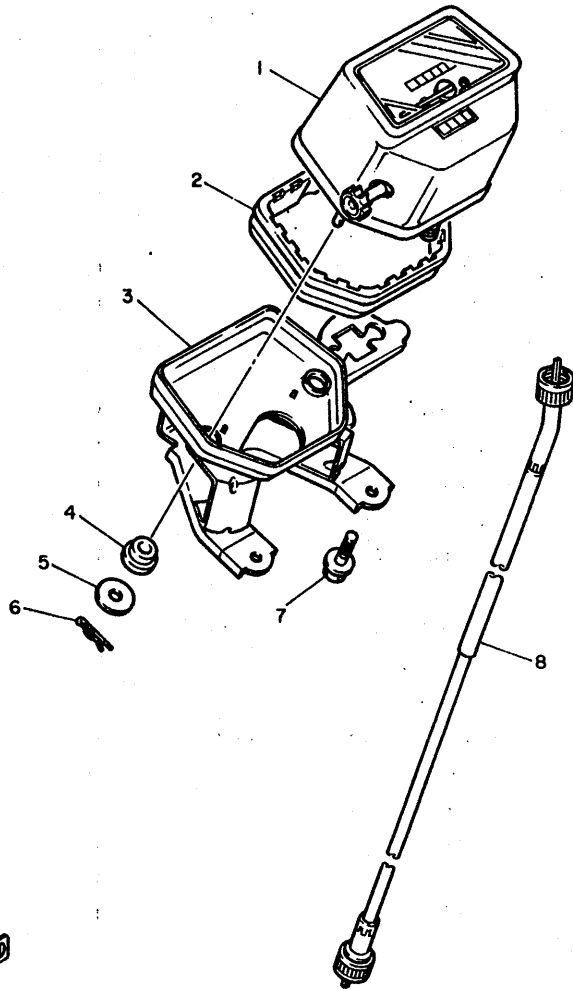


3SW700-9330

REF. NO.	PART NO.	DESCRIPTION	Q'TY	REMARKS
1	36X-83310-10	FRONT FLASHER LIGHT ASSY 1	1	
2	36X-83312-00	.LENS, flasher	1	
3	97706-30108	.SCREW, tapping	1	
4	185-83311-10	.BULB (6V-8W)	1	
5	36X-83321-00	.DAMPER, flasher 1	1	
6	36A-83318-00	STAY, flasher 1	1	
7	36X-83320-10	FRONT FLASHER LIGHT ASSY 2	1	
8	36X-83312-00	.LENS, flasher	1	
9	97706-30108	.SCREW, tapping	1	
10	185-83311-10	.BULB (6V-8W)	1	
11	36X-83321-00	.DAMPER, flasher 1	1	
12	36A-83328-00	STAY, flasher 2	1	
13	36A-83330-10	REAR FLASHER LIGHT ASSY 1	1	
14	36X-83312-00	.LENS, flasher	1	
15	97706-30108	.SCREW, tapping	1	
16	185-83311-10	.BULB (6V-8W)	1	
17	36X-83321-00	.DAMPER, flasher 1	1	
18	36A-83368-00	STAY, flasher 1	1	
19	92506-08016	SCREW, pan head	2	
20	92906-06600	WASHER, plate	2	
21	36A-83340-10	REAR FLASHER LIGHT ASSY 2	1	
22	36X-83312-00	.LENS, flasher	1	
23	97706-30108	.SCREW, tapping	1	
24	185-83311-10	.BULB (6V-8W)	1	
25	36X-83321-00	.DAMPER, flasher 1	1	
26	36A-83368-00	STAY, flasher 1	1	

FIG. 34 METER

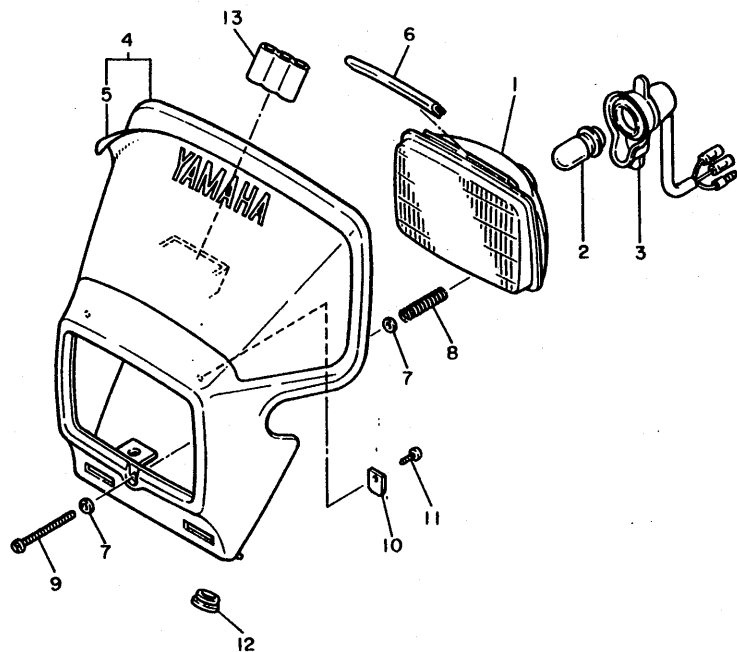
REF. NO.	PART NO.	DESCRIPTION	Q'TY	REMARKS
1	1RJ-83570-F0	SPEEDOMETER ASSY	1	
2	5Y0-83513-00	DAMPER	1	
3	1LN-83519-00	BRACKET, meter	1	
4	1M1-83526-00	DAMPER 2	2	
6	4X8-83524-00	WASHER, special	2	
6	90468-10050	CLIP	2	
7	95801-06012	BOLT, flange	2	
8	4V6-83550-00	SPEEDOMETER CABLE ASSY	1	



2JT700-7340

E7

FIG. 35 HEADLIGHT

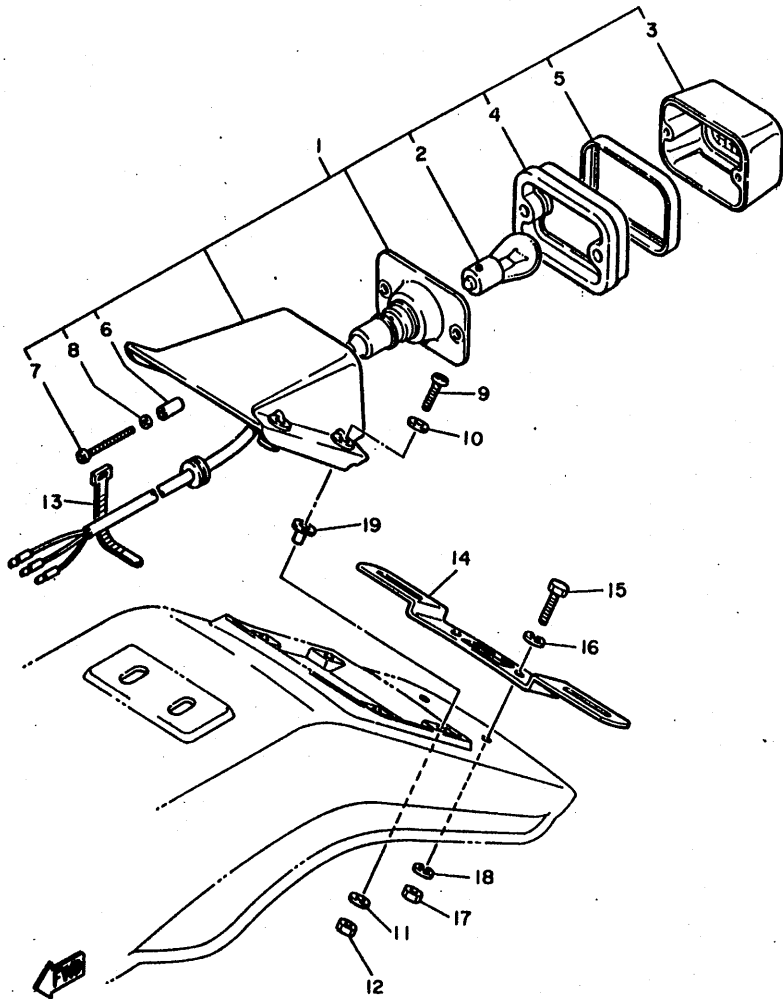


REF. NO.	PART NO.	DESCRIPTION	QTY	REMARKS
1	18A-84120-00	LENS ASSY	1	
2	206-84114-80	BULB (6V-25/25W)	1	
3	26A-84140-00	SOCKET CORD ASSY	1	
4	1LN-W8411-00	BODY, headlight	1	WHITE
5	1LN-84141-00	EMBLEM, headlight	1	CHAPPY RED
6	26A-84143-00	DAMPER, headlight stay	1	
7	92906-04600	WASHER, plate	2	
8	18A-84132-00	SPRING, screw	1	
9	97701-40555	SCREW, tapping	1	
10	26A-8411H-00	PLATE, stopper	2	
11	97701-40510	SCREW, panhead tapping	2	
12	90480-12053	GROMMET	2	
13	4V6-83592-00	DAMPER	1	



3SW700-9350

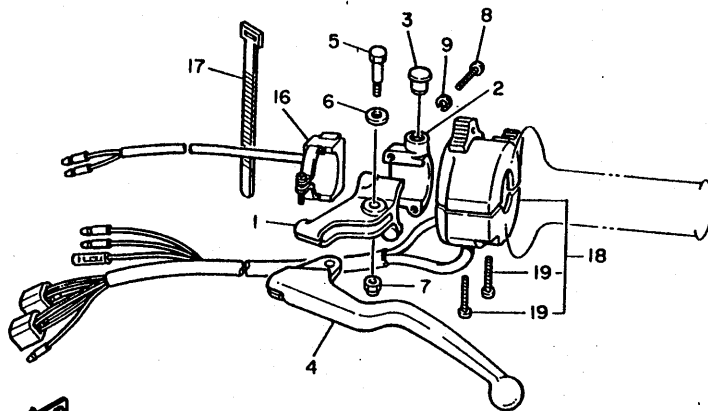
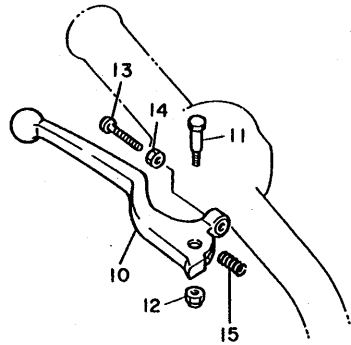
FIG. 36 TAILLIGHT



3SW700-9360

REF. NO.	PART NO.	DESCRIPTION	Q'TY	REMARKS
1	36A-84500-01	TAILLIGHT ASSY	1	
2	122-84514-00	.BULB (6V-10/3W)	1	
3	434-84521-69	.LENS, taillight	1	
4	29W-84527-00	.DAMPER	1	
5	434-84515-61	.RIM, taillight	1	
6	29W-84557-00	.COLLAR	2	
7	98502-04035	.SCREW, pan head	2	
8	92990-04200	.WASHER, plain	2	
9	92506-06035	SCREW, pan head	4	
10	92906-06600	WASHER, plate	4	
11	90201-06571	WASHER, plate	4	
12	95303-06600	NUT	4	
13	437-83936-00	BAND, switch cord	2	
14	3BN-84551-00	BRACKET, licence	1	
15	97016-06016	BOLT	2	
16	92908-06100	WASHER, spring	2	
17	95303-06600	NUT	2	
18	92990-06100	WASHER, spring	2	
19	90387-062M3	COLLAR	4	

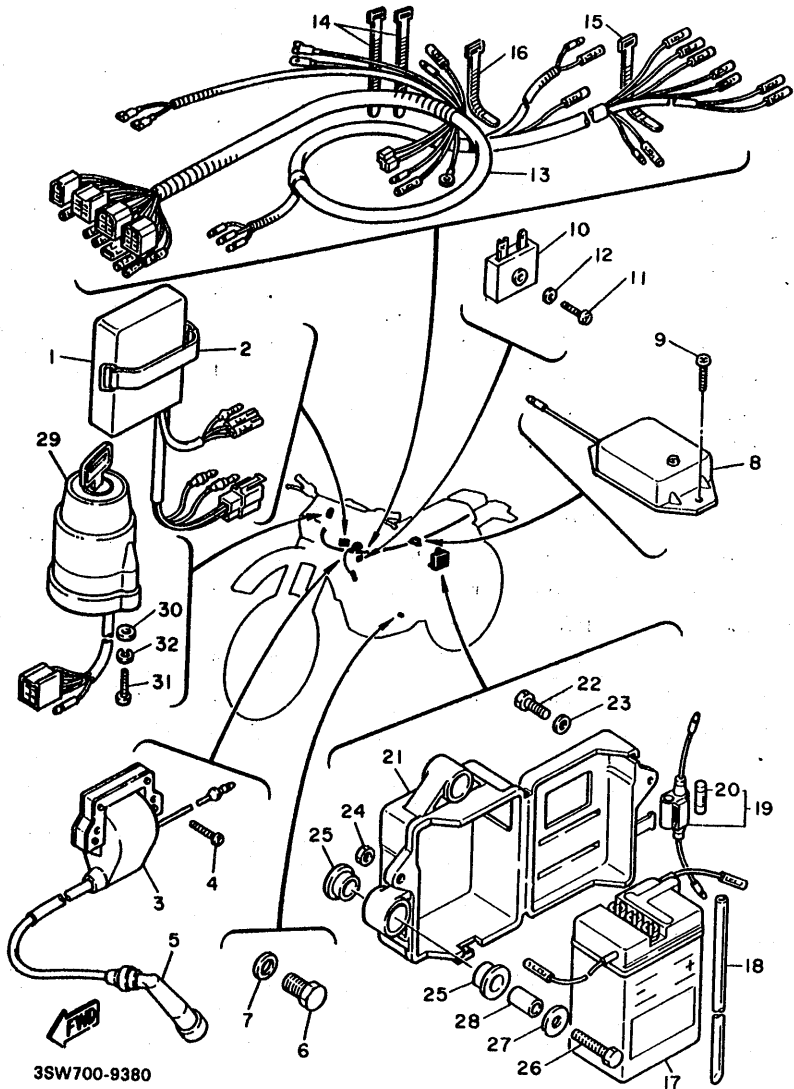
FIG. 37 HANDLE SWITCH • LEVER



3SW700-9370

REF. NO.	PART NO.	DESCRIPTION	Q'TY	REMARKS
1	33G-82911-00	HOLDER, lever 1	1	
2	33G-82913-00	HOLDER, lever lower 1	1	
3	90338-09012	PLUG	1	
4	23X-83912-00	LEVER 1	1	
5	90109-06797	BOLT	1	
6	90201-082A9	WASHER, plate	1	
7	95616-06100	NUT, u	1	
8	98506-05020	SCREW, pan head	2	
9	92906-05100	WASHER, spring	2	
10	55Y-83922-00	LEVER 2	1	
11	90109-062A8	BOLT	1	
12	95616-06100	NUT, u	1	
13	90149-06289	SCREW	1	
14	90170-06010	NUT	1	
15	90501-10312	SPRING, compression	1	
16	23X-83976-00	SWITCH, handle 1	1	
17	437-83936-00	BAND, switch cord	2	
18	5X9-83972-00	SWITCH, handle 4	1	
19	98506-05022	SCREW, pan head	2	

FIG. 38 ELECTRICAL 1



REF. NO.	PART NO.	DESCRIPTION	Q'TY	REMARKS
1	55U-85540-51	C.D.I. UNIT ASSY	1	
2	122-82131-00	BAND, battery	1	
3	43F-82310-51	IGNITION COIL ASSY	1	
4	92501-06020	SCREW, pan head	2	
5	371-82370-00	PLUG CAP ASSY	1	
6	90340-10003	PLUG, straight screw	1	
7	90430-10027	GASKET	1	
8	443-81910-62	VOLTAGE REGULATOR ASSY	1	
9	92501-06012	SCREW, pan head	2	
10	353-81970-63	RECTIFIER ASSY	1	STANLEY
11	98501-05020	SCREW, pan head	1	
12	92901-05600	WASHER, plate	1	
13	2JT-82590-00	WIRE HARNESS ASSY	1	
14	437-83936-00	BAND, switch cord	4	
15	437-83936-10	BAND, switch cord	2	
16	25G-83936-01	BAND, switch cord	2	
17	2E9-82110-29	BATTERY ASSY (6N2-2A-7)	1	
18	90445-08048	HOSE	1	
19	1E6-82150-00	FUSE HOLDER ASSY	1	
20	1E6-82151-00	FUSE (10A)	2	
21	36A-2177G-00	BOX, battery	1	
22	97313-06016	BOLT	1	
23	92901-06600	WASHER, plate	1	
24	95303-06600	NUT	1	
25	90480-15279	GROMMET	4	
26	97313-06040	BOLT	2	
27	90201-06067	WASHER, plate	2	
28	90387-06676	COLLAR	2	

E11

FIG. 38 ELECTRICAL 1

REF. NO.	PART NO.	DESCRIPTION	Q'TY	REMARKS
29	5L4-82508-20	MAIN SWITCH ASSY	1	
30	90201-05033	WASHER, plate	2	
31	98503-05025	SCREW, pan head	2	
32	92901-05100	WASHER, spring	2	

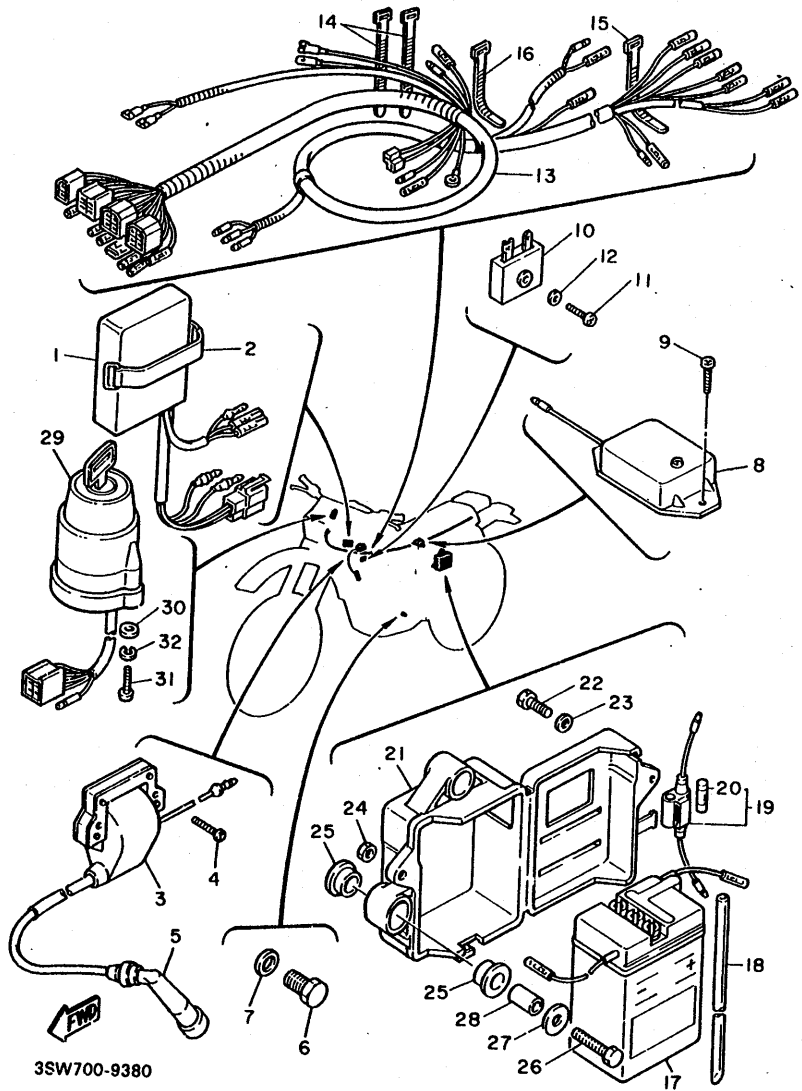
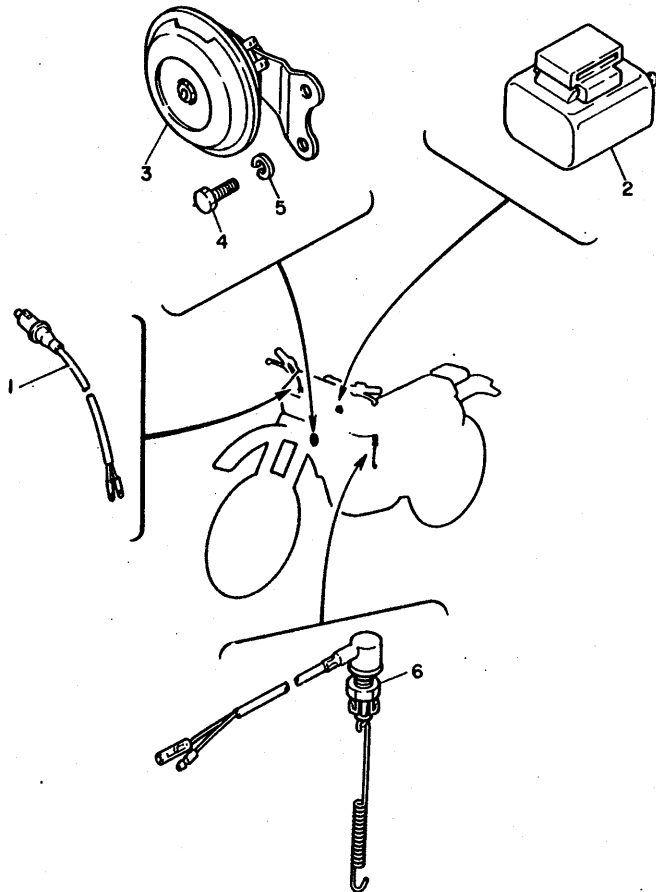


FIG. 39 ELECTRICAL 2

REF. NO.	PART NO.	DESCRIPTION	Q'TY	REMARKS
1	34X-83980-01	FRONT STOP SWITCH ASSY	1	
2	36X-83350-10	FLASHER RELAY ASSY	1	
3	36A-83371-10	HORN	1	
4	97021-06010	BOLT	2	
5	92990-06100	WASHER, spring	2	
6	5Y1-82530-01	STOP SWITCH ASSY	1	



69X700-5390

E13

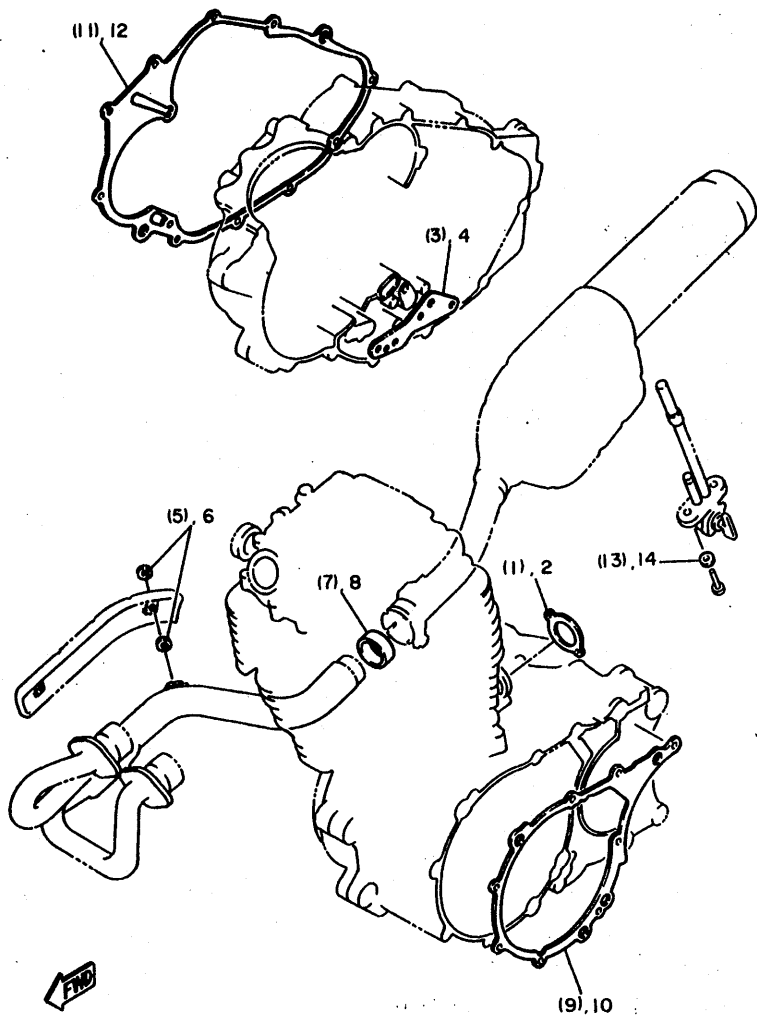
INDIVIDUAL SPEC.

THE UNIVERSITY OF CHICAGO

FOR SWEDEN

The following pages provides a listing of only the parts that meet the specifications peculiar to your market. For those parts not appearing in these pages, refer to the "GENERAL SPEC" section.

FIG. 40 ALTERNATE (ENGINE)



REF. NO.	PART NO.	DESCRIPTION	Q'TY	REMARKS
1	4X7-12213-00	GASKET, TENSIONER CASE	*	
2	3AJ-12213-00	GASKET, TENSIONER CASE	1	
3	5Y1-13415-01	SEAL, OIL STRAINER	*	
4	3AJ-13415-00	SEAL, OIL STRAINER	1	
5	30X-14766-00	WASHER, PROTECTOR	*	
6	90202-01591	WASHER, PROTECTOR	4	
7	34K-14714-00	GASKET, MUFFLER	*	
8	3AJ-14714-00	GASKET, MUFFLER	1	
9	5Y1-15451-01	GASKET, CRANKCASE COVER 1	*	
10	3PW-15451-00	GASKET, CRANKCASE COVER 1	1	
11	34K-15462-00	GASKET, CRANKCASE COVER 3	*	
12	3AJ-15462-00	GASKET, CRANKCASE COVER 3	1	
13	90202-06010	WASHER, PLATE	*	
14	90202-05193	WASHER, PLATE	2	

3SW700-9400

INDEX

(GENERAL SPEC.)

NUMERICAL INDEX

PART NO.	GRID NO.	PART NO.	GRID NO.	PART NO.	GRID NO.
59X-W0041-00	E - 2	34K-12163-00	B - 7	5Y1-14349-00	B-13
2HH-W0045-01	D-12	5Y1-12166-00	B - 7	5Y1-14355-00	B-13
56A-W0047-00	D-12	34K-12171-00	B - 8	5Y1-14356-00	B-14
51L-W0048-00	D-12	34K-12176-00	B - 8	5Y1-14357-00	B-13
56A-W0057-00	D-12	34K-12210-00	B - 8	5Y1-14368-00	B-14
34K-W1141-00	B - 5	4X7-12213-00	B - 8	34K-14370-00	B-14
5Y1-W1343-00	B - 9	34K-12215-01	B - 2	5Y1-14384-00	B-13
3LS-W2536-00	D-13	34K-12231-00	B - 8	5Y1-14385-00	B-13
1LN-W2810-00	D-10	34K-12241-00	B - 8	6E5-14386-01	B-13
1WN-11101-01	B - 2	1JK-12283-00	B - 8	5Y1-14396-00	B-13
583-11127-00	B - 2	5Y1-12288-00	B - 2	5Y1-14397-00	B-13
	B - 4	5Y1-12292-00	B - 3	5Y1-14398-00	B-13
4H7-11133-10	B - 2	583-13113-00	B - 9	34K-14401-01	B-11
34K-11145-00	B - 5	1VJ-13300-01	B - 9	34K-14412-01	B-11
34L-11166-00	C - 2	3AJ-13325-00	B - 9	34K-14426-00	B-11
2KF-11181-01	B - 4	5Y1-13371-00	B-10	26A-14438-00	B-11
1L9-11186-00	B - 2	5Y1-13415-01	B - 9	34K-14451-01	B-11
5Y1-11187-00	B - 2	4X7-13440-90	B - 9	34K-14452-00	B-12
214-11198-01	B - 9	2WK-13447-00	B - 9	43F-14453-00	B-11
34K-11310-04	B - 4	11H-13455-00	B - 9	43F-14454-00	B-11
34K-11312-09	B - 4	34K-13484-00	B - 9	34K-14455-00	B-12
1VJ-11351-00	B - 4	34K-13466-00	B - 9	1W4-14457-00	B-11
34K-11400-00	B - 5	16G-13569-00	B-11	34K-14458-02	B-11
34K-11422-00	B - 5	2AG-13576-00	B-11	34K-14473-02	B-11
34K-11454-00	B - 5	2AG-13579-00	B-11	34K-14484-00	B-11
5Y1-11496-01	B - 5	43F-13586-01	B-11	34K-14493-01	B-11
5Y1-11631-00	B - 5	43F-13596-01	B-11	5Y1-14536-00	B-14
2JT-11636-00	B - 5	34K-14103-00	B-13	5Y1-14556-00	B-14
34K-11665-02	B - 5	50M-14105-00	B-13	5Y1-14572-00	B-14
34K-11610-01	B - 5	1JK-14107-01	B-13	34K-14611-01	B-15
34K-11631-02-Y0	B - 5	5Y1-14115-00	B-13	5Y1-14613-00	B-15
34K-11633-01	B - 5	5Y1-14131-00	B-14	34K-14628-01	B-15
34K-11651-00	B - 5	5Y1-14137-00	B-14	34K-14711-02	B-15
34K-11681-00	B - 5	5Y1-14148-00	B-14	34K-14714-00	B-15
5Y1-12111-00	B - 7	5Y1-14149-00	B-14	34K-14752-00	B-15
5Y1-12113-00	B - 7	5Y1-14159-00	B-14	30X-14766-00	B-15
5Y1-12114-00	B - 7	5Y1-14197-00	B-14	5Y1-1490A-00	B-14
4H7-12116-00	B - 7	5Y1-14198-00	B-13	43F-1490J-01	B-13
2F3-12117-00	B - 7	5Y1-14203-00	B-13	55U-1490J-10	B-13
1J7-12118-00	B - 7	5Y1-14286-00	B-13	34K-1490K-00	B-14
1J7-12119-01	B - 7	5Y1-14293-01	B-14	3SW-15100-00	C - 2
34K-12121-00	B - 7	55U-14301-00	B-13	5Y1-15383-00	C - 2
2NX-12146-00	B - 7	34K-14305-00	B-14	2WK-15411-00	C - 3
34K-12151-00	B - 7	34K-14312-55	B-13	2WK-15417-00	C - 3
5Y1-12156-00	B - 7	5Y3-14341-00	B-13	2WK-15421-00	C - 3
3Y1-12159-00	B - 7	43F-14342-24	B-13	5Y1-15427-01	B - 9
34K-12161-00	B - 7	288-14343-68	B-13	2KF-15431-00	C - 3
34K-12162-00	B - 7	5Y1-14343-68	B-14	5Y1-15441-00	C - 3

NUMERICAL INDEX

PART NO.	GRID NO.	PART NO.	GRID NO.	PART NO.	GRID NO.
34K-18140-00	C - 10	3SW-22210-00-6W	D - 4	5Y1-15451-01	C - 3
5Y1-18185-00	C - 10	30X-22214-00	D - 4	34K-15462-00	C - 3
5Y1-18511-00	C - 10	3Y1-22223-00	D - 4	3Y1-1561A-02	C - 5
5Y1-18512-00	C - 10	34K-22262-00	D - 4	5Y1-1561G-00	C - 6
5Y1-18513-00	C - 10	34K-22311-00	D - 3	5Y1-1562F-01	C - 4
34K-18531-00	C - 10	29W-22318-00	D - 3	5Y1-15620-02	C - 5
34K-18535-00	C - 10	35W-23102-00	D - 6	5Y1-15621-01	C - 5
5Y1-18540-00	C - 10	35W-23103-00	D - 6	34K-15641-00	C - 5
3SW-21110-00-UJ	C - 12	2VM-23110-L0	D - 6	117-15644-00	C - 9
34K-21315-00	C - 12		D - 7	5Y1-15645-00	C - 3
34L-21316-00-UJ	C - 12	2VM-23111-L0	D - 6	5Y1-15651-01	C - 5
5Y1-21441-00	C - 13		D - 7	5Y1-15660-01	C - 5
34L-21471-00	C - 12	2VN-23118-L0	D - 6	2NX-15668-00	C - 5
34L-21485-00	C - 12		D - 7	248-15668-00	C - 5
34L-21486-00	C - 12	4H7-23119-00	D - 6	5Y1-15671-01	C - 5
34K-21511-00	C - 14		D - 7	214-15674-00	C - 5
36A-21610-00	C - 14	55Y-2312G-M0	D - 6	214-15686-00	C - 5
34K-21615-00	C - 14		D - 7	34K-16111-00	C - 7
	D-10	4V4-23125-L0	D - 6	1JK-16150-00	C - 7
34K-21621-01	B-11		D - 7	3Y1-16154-00	C - 7
2H7-21628-00	C - 14	2VM-23126-L0	D - 6	5Y1-16321-00	C - 7
34K-21629-01	D - 3	122-23129-00	D - 6	360-16325-00	C - 7
34K-21711-00-3X	C - 15		D - 7	5Y1-16331-01	C - 7
34K-21721-00	C - 15	3SW-23136-00	D - 6	5Y1-16351-00	C - 7
2JT-2173L-00	C - 15	2VM-2314A-M0	D - 6	34K-16356-00	C - 7
2J5-21732-00	C - 12		D - 7	5Y1-16357-00	C - 8
34K-21732-00	C - 15	2VN-23141-L0	D - 6	30X-16358-00	C - 7
34K-2174A-00	C - 15		D - 7	34K-16371-00	C - 7
2JT-2174L-00	C - 15	4V4-23142-L0	D - 6	5Y1-16381-00	C - 7
34K-21751-00	C - 15		D - 7	5Y1-16383-00	C - 7
3SW-2176E-00	C - 12	2VM-23144-L0	D - 6	214-16389-00	C - 7
36A-2177G-00	E-11		D - 7	34K-17121-01	C - 9
34K-21771-00	C - 15	2VM-23145-L0	D - 6	1VJ-17131-00	C - 9
34K-21778-00	C - 15		D - 7	34K-17141-00	C - 9
34K-22110-00	D - 2	4V4-23146-L0	D - 6	2JT-17151-01	C - 9
307-22123-00	D - 5		D - 7	34K-17211-00	C - 9
156-22127-00	D - 2	3J2-23147-00	D - 6	2JT-17221-00	C - 9
23X-22129-00	D - 3		D - 7	1VJ-17231-00	C - 9
3R4-22129-00	D - 2	4V4-23153-L0	D - 6	55U-17241-00	C - 9
34K-22141-01	D - 2	2HH-23158-L0	D - 6	2JT-17251-10	C - 9
5X6-22147-01	D - 2		D - 7	34K-17402-01	C - 9
5X6-22151-10	D - 2	2VM-2316A-L0	D - 6	5Y1-17411-00	C - 9
34K-2217A-00	D - 2		D - 7	3Y1-17456-00	C - 9
23X-2217F-00	D - 3	1LX-23167-L0	D - 7	5Y1-17471-00	C - 9
30X-22178-00	C - 12	2VM-23170-L0	D - 6	5Y1-18101-01	C - 11
46X-2218A-00	D - 3		D - 7	43F-18102-01	C - 11
4V4-22184-00	C - 12	2VM-23173-L0	D - 6	34K-18110-02	C - 11
23X-22199-00	D - 2		D - 7	34K-18120-00	C - 11

NUMERICAL INDEX

PART NO.	GRID NO.	PART NO.	GRID NO.
2VN-23185-L0	D- 6	3Y6-2533A-01	D-14
	D- 7	26A-25351-00	D-13
4V4-23188-L0	D- 6	34L-25355-00	D-13
	D- 7	148-25359-00	D-13
34K-2319U-00	D- 5	28A-25381-01	D-13
23X-23190-L0	D- 6	26A-25383-00	D-13
	D- 7	4V5-25388-01	D-13
43M-23191-L0	D- 7	2X5-25394-00	D-13
43M-23192-L0	D- 7	26A-25450-50-33	D-13
3R4-23317-00	D- 5	2HH-2580T-00	D-12
26A-23318-00	D- 5	55U-25831-00	D-12
2JT-23340-00-39	D- 8	34X-25845-00	D-12
34K-23389-00	D- 5	2KF-25850-00	E- 2
	D- 8	2KF-25852-01	E- 2
4V5-23389-00	D- 8	55U-25854-00	E- 2
5Y3-23393-00	D- 7	56A-25867-00	E- 2
1W1-23416-00	D- 5	59X-25872-00	E- 2
23X-23435-00-98	D- 5	5R2-25917-00	D-12
1E6-23441-00	D- 5	56A-25919-00	D-12
1E6-23442-00	D- 5	56A-25919-10	D-12
43M-23489-L0	D- 7	56A-25926-00	D-12
34K-24110-01	D- 9	56A-25937-00	D-12
34K-2413X-00	D- 9	34K-26111-00	D-15
1W1-24144-01	D- 9	3Y0-26141-00	D-15
59V-24173-00	D- 9	34L-26142-10	D-15
34K-24181-00	D- 9	1LX-26241-01	D-15
1W1-24182-01	D- 9	1LX-26242-01	D-15
2JT-24254-00	D- 9	3Y1-26243-01	D-15
34K-24500-01	D- 9	3Y1-26249-00	D-15
360-24512-00	B-13	34K-26281-00	D-15
4X8-24512-00	D- 9	1VJ-26282-00	D-15
4X8-24534-00	D- 9	34K-26302-00	D-15
1UY-24610-00	D- 9	55U-26335-01	D-15
34K-24710-11	D-10	1E6-26342-00	D-15
34K-24731-10	D-10	4N0-27114-00	C-12
1L9-24741-00	D-10	36A-27211-01-90	E- 3
30X-24768-00	C-15	34K-27231-00	E- 3
4V5-24833-00	D-10	1W2-27237-00	D-13
4V5-24850-00	D-10	1W2-27239-00	E- 3
55U-25104-00	D-11	3R8-27242-00	E- 3
55U-25111-01-98	D-11	55U-27311-00-33	E- 4
322-25118-00	D-11	23X-27411-02	E- 3
3R4-25181-01	D-11	34K-27412-00-R4	E- 3
1W2-25190-00	D-11	34K-27421-00	E- 3
4V5-25194-00	D-11	34K-27422-00-R4	E- 3
56A-25304-00	D-13	443-81910-62	E-11
56A-25311-00-98	D-13	353-81970-63	E-11
26A-25321-00-98	D-13	2E9-82110-29	E-11

PART NO.	GRID NO.	PART NO.	GRID NO.
122-82131-00	E-11	122-82131-00	E-11
1E6-82150-00	E-11	1E6-82150-00	E-11
1E6-82151-00	E-11	1E6-82151-00	E-11
43F-82310-51	E-11	43F-82310-51	E-11
371-82370-00	E-11	371-82370-00	E-11
5L4-82508-20	E-12	5L4-82508-20	E-12
5Y1-82530-01	E-13	5Y1-82530-01	E-13
2JT-82590-00	E-11	2JT-82590-00	E-11
33G-82911-00	E-10	33G-82911-00	E-10
33G-82913-00	E-10	33G-82913-00	E-10
36X-83310-10	E- 6	36X-83310-10	E- 6
185-83311-10	E- 6	185-83311-10	E- 6
36X-83312-00	E- 6	36X-83312-00	E- 6
36A-83318-00	E- 6	36A-83318-00	E- 6
36X-83320-10	E- 6	36X-83320-10	E- 6
36X-83321-00	E- 6	36X-83321-00	E- 6
36A-83328-00	E- 6	36A-83328-00	E- 6
36A-83330-10	E- 6	36A-83330-10	E- 6
36A-83340-10	E- 6	36A-83340-10	E- 6
36X-83350-10	E-13	36X-83350-10	E-13
36A-83368-00	E- 6	36A-83368-00	E- 6
36A-83371-10	E-13	36A-83371-10	E-13
5Y0-83513-00	E- 7	5Y0-83513-00	E- 7
1LN-83519-00	E- 7	1LN-83519-00	E- 7
4X8-83524-00	E- 7	4X8-83524-00	E- 7
1M1-83526-00	E- 7	1M1-83526-00	E- 7
4V5-83550-00	E- 7	4V5-83550-00	E- 7
1RJ-83570-F0	E- 7	1RJ-83570-F0	E- 7
4V5-83592-00	E- 8	4V5-83592-00	E- 8
23X-83912-00	E-10	23X-83912-00	E-10
55Y-83922-00	E-10	55Y-83922-00	E-10
25G-83936-01	E-11	25G-83936-01	E-11
437-83936-00	E- 9	437-83936-00	E- 9
437-83936-10	E-10	437-83936-10	E-10
5X9-83972-00	E-10	5X9-83972-00	E-10
23X-83976-00	E-10	23X-83976-00	E-10
34X-83980-01	E-13	34X-83980-01	E-13
26A-8411H-00	E- 8	26A-8411H-00	E- 8
34K-84111-01	E- 8	34K-84111-01	E- 8
206-84114-60	E- 8	206-84114-60	E- 8
18A-84120-00	E- 8	18A-84120-00	E- 8
18A-84132-00	E- 8	18A-84132-00	E- 8
26A-84140-00	E- 8	26A-84140-00	E- 8
1LN-84141-00	E- 8	1LN-84141-00	E- 8
26A-84143-00	E- 8	26A-84143-00	E- 8
36A-84500-01	E- 9	36A-84500-01	E- 9
122-84514-00	E- 9	122-84514-00	E- 9

PART NO.	GRID NO.	PART NO.	GRID NO.
434-84515-61	E- 9	434-84515-61	E- 9
434-84521-69	E- 9	434-84521-69	E- 9
29W-84527-00	E- 9	29W-84527-00	E- 9
3BN-84551-00	E- 9	3BN-84551-00	E- 9
29W-84557-00	E- 9	29W-84557-00	E- 9
36A-85510-50	E- 5	36A-85510-50	E- 5
55U-85540-61	E-11	55U-85540-61	E-11
36A-85550-50	E- 5	36A-85550-50	E- 5
90101-06288	E- 3	90101-06288	E- 3
90101-06291	D-13	90101-06291	D-13
90105-07087	B- 8	90105-07087	B- 8
90105-08091	D- 5	90105-08091	D- 5
90105-08505	B- 4	90105-08505	B- 4
90105-10286	C-12	90105-10286	C-12
90109-062A8	E-10	90109-062A8	E-10
90109-06418	B- 3	90109-06418	B- 3
90109-06419	B- 9	90109-06419	B- 9
90109-06757	D-12	90109-06757	D-12
90109-06797	E-10	90109-06797	E-10
90109-08705	C-12	90109-08705	C-12
90109-08708	D-13	90109-08708	D-13
90109-10690	D- 4	90109-10690	D- 4
90109-10700	D- 4	90109-10700	D- 4
90109-10702	D- 3	90109-10702	D- 3
90109-10703	D- 3	90109-10703	D- 3
90109-124A7	E- 4	90109-124A7	E- 4
90109-12701	D- 2	90109-12701	D- 2
90110-06138	B- 7	90110-06138	B- 7
	C- 2		C- 2
	C- 3		C- 3
	B- 4		B- 4
	B- 2		B- 2
	C- 2		C- 2
	B- 2		B- 2
	C- 2		C- 2
	D- 9		D- 9
	C-14		C-14
	B-11		B-11
	D-15		D-15
	B- 9		B- 9
	D- 9		D- 9
	E-10		E-10
	C- 7		C- 7
	C-10		C-10
	C- 5		C- 5
	C- 7		C- 7
	D- 3		D- 3
	D- 3		D- 3
	C-10		C-10

NUMERICAL INDEX

PART NO.	GRID NO.	PART NO.	GRID NO.
90164-06017	B-15	90201-100F7	D- 4
90170-06010	E-10	90201-10118	E- 2
90170-06128	B- 7	90201-10124	B- 4
90170-10372	D- 6	90201-105J4	C- 6
	D- 7	90201-10590	B- 4
	B- 6	90201-120A6	D- 2
	C- 7	90201-120E8	D- 3
	C- 7		D- 4
	E- 3	90201-123E8	D- 5
	B- 4	90201-12474	C-11
	B-15	90201-12631	D-13
	D-15	90201-13202	C-12
	B- 4	90201-140A6	B- 5
	B- 4	90201-14222	D- 3
	B- 5	90201-14411	E- 3
	D-14	90201-15238	D- 2
	D- 5	90201-156K6	C- 5
	D- 5	90201-15701	C- 5
	D- 5	90201-17327	C- 6
	C-12	90201-20276	C- 5
	D-13		C- 8
	D- 4	90201-20685	C- 5
	D- 3	90201-301F4	B- 5
	E- 4	90202-06010	D- 9
	D- 2	90202-14077	D- 5
	B-12	90206-06080	B-15
	E-12	90206-12075	B- 7
	D-10	90209-06187	C-14
	D- 3	90209-22191	C- 9
	C-12	90209-34254	B- 5
	C-14	90215-16242	B- 6
	E-11	90215-20197	C- 7
	D- 3	90215-20231	C- 7
	D- 9	90240-06040	E- 3
	D-10	90240-10101	E- 3
	E- 9	90243-06016	C- 7
	E- 5	90267-40073	B-11
	B- 4		B-12
	B- 4	90267-48079	C-12
	C- 7	90280-05013	B- 5
	C-15	90282-05065	B- 5
	E-10	90282-07042	C- 7
	B-15	90336-18038	C- 5
	C-13	90338-09012	E- 2
	D- 5		E-10
	D- 3	90340-10003	E-11
	D- 4	90340-14079	B- 2
	D- 3	90340-14120	C- 3

NUMERICAL INDEX

PART NO.	GRID NO.	PART NO.	GRID NO.
90340-36121	C- 3	90488-10050	E- 7
90380-12094	D- 4	90480-01401	C-15
90380-16126	D- 2	90480-12053	E- 8
90380-16127	D- 2	90480-13018	C-14
90380-22111	D- 2	90480-13398	B-11
90387-060A7	C-12		C-15
90387-062M3	E- 9	90480-14229	C-12
90387-063F7	C-10	90480-15279	E-11
90387-06500	D-15	90501-043E0	B- 9
90387-06676	E-11	90501-10245	E- 3
90387-07393	D- 9	90501-10312	E-10
90387-07573	D- 5	90501-12081	C- 5
90387-081J3	C-15	90501-16107	C- 5
90387-085E1	C-13	90501-22721	B- 5
90387-121E8	D- 5	90501-26148	C- 7
90387-121H1	D- 3	90506-16447	D-13
90387-126H8	D- 4	90508-18305	E- 3
90387-147G6	D- 2	90507-29008	E- 4
90387-147G7	D- 2	90508-14429	E- 3
90387-15600	D-11	90508-14524	C- 6
90387-157G5	D-11	90508-14526	C- 8
90387-16782	C- 2	90508-18551	B- 2
90387-17783	C- 2	90508-20583	E- 3
90387-227H7	D-15	90508-29527	C-10
90387-440G3	D- 2	90508-29629	C-11
90401-10034	E- 2	90508-32529	C- 5
90430-06126	B- 9	90560-15290	D-11
90430-06014	B- 3	90560-20226	D-13
90430-08178	B- 4	91011-08045	D-12
	C- 2	91316-06012	D- 3
90430-10027	E-11		D- 6
90430-27124	C-15	91316-06016	B- 9
90445-08048	E-11		B-10
90445-09777	D- 9		C- 3
90445-10456	D- 9	91316-06018	B- 2
90445-11748	C-15	91316-06020	B- 2
90480-46206	B-11		B-11
90480-51059	B-12		C- 3
90482-10107	C- 3	91316-06025	B- 2
90482-16102	C- 3		B- 8
90484-20031	D-15		C- 3
90484-20064	B-10	91316-06035	B- 9
90485-14242	D- 5		C- 3
90487-09006	D- 9	91316-06040	B- 2
90487-10008	C-15		C- 3
90487-10039	B-11	91316-06045	C- 2
90487-14015	C- 2	91316-06050	B- 2
90487-20030	B-12		C- 3

PART NO.	GRID NO.	PART NO.	GRID NO.
91316-06055	B- 2	92906-05600	B-11
91316-06060	C- 2	92906-06100	C-12
91316-06080	B- 9		E- 2
91316-06115	B- 2		E- 9
91316-06125	B- 2	92906-06600	B- 2
91401-16012	D-14		E- 6
91401-20015	E- 3		E- 9
91401-20020	D- 5	92906-08100	C-12
91401-25020	E- 3	92990-04200	B-11
91401-25022	D-13		B-12
91401-30020	E- 3		E- 9
91701-05045	D-14	92990-06100	B-15
91701-06028	E- 3		C-13
91810-05018	B- 4		C-14
92501-06010	B-15		D- 7
92501-06012	C- 3		D- 9
	C-13		E- 9
	E- 5		E-13
93101-14092	C- 3		C- 3
93101-25106	B- 5		B- 5
93102-10207	D-15		C- 5
93102-12106	D-10		B- 3
	E- 5		C-11
93102-17357	E-11		C- 7
93102-20108	E- 5		C- 5
93102-20281	D- 3		D-11
93102-25226	E- 6		C- 9
93104-18077	E- 9		D- 4
93106-22019	D- 9		D- 2
93106-28023	C- 2		D-13
93108-35004	B-13		D- 2
93109-20029	E-12		D- 2
93210-07135	D- 5		B- 9
	E-11		C- 2
93210-08521	C- 7		B- 7
93210-10197	D-15		B- 9
93210-13361	E- 3		B- 9
	B- 8		C- 3
93210-13657	C- 6		B- 2
	D- 9		C- 3
93210-15171	D-15		B-10
93210-19522	E- 3		E- 3
93210-32172	E-11		E-11
93210-36510	C-12		C-12
93210-36549	D-13		D-13
93210-62446	D-14		D-14
93210-64297	E- 8		B- 9
93210-97524	E-10		B- 4

NUMERICAL INDEX

PART NO.	GRID NO.	PART NO.	GRID NO.
93306-00406	D-13	94701-00263	B- 2
93306-00418	D-13	95303-05600	D- 5
93306-00426	C- 9		C- 7
93306-00431	C- 9		E- 3
93306-20209	D-11		E- 9
93306-30525	B- 5		E-11
93306-30535	C- 9	95303-06700	D-15
93306-30540	C- 9	95311-06700	C- 6
93306-30541	B- 5	95601-06100	D-10
93306-30710	B- 5	95601-08200	D- 2
93310-634K2	B- 5		D-13
93315-11720	C- 7	95611-10100	D- 3
93315-31732	D- 3	95616-06100	E-10
93316-00503	C-10	95706-08500	C-15
93317-11020	C- 7	95801-06012	B-12
93317-32034	D- 2		D- 4
93317-32231	D- 2		E- 7
93332-00008	D- 5	95801-06016	D- 2
93332-00023	D- 6	95801-08012	C-15
93342-22208	D- 2	95801-08016	C-13
93410-20038	C- 5	95801-08055	D- 2
93440-12052	B- 2	95811-08012	B-15
93440-25084	C- 9		C-15
93440-30113	D- 4	95811-08035	D- 5
93440-48079	D- 4	95811-10025	E- 4
93450-24028	B- 5	95811-10110	C-12
93503-08007	B- 9	95816-08045	B-15
93507-32031	C- 5	95821-08020	B-15
93515-32029	C- 8	95826-08205	C-15
93604-10011	C-10	97001-06025	C-12
93605-10090	B- 5	97011-06020	C-14
93608-33046	C-11	97011-06025	C-11
93700-06004	D- 2	97011-10080	C-12
	C- 2	97016-06016	E- 9
	B- 7	97016-06025	E- 2
93700-06005	D- 3	97016-08016	C-12
93834-14052	C- 9	97021-06010	C- 9
94110-210G5	D-11		E-13
94114-186G1	D-13		C-14
94230-21126	D-11	97313-06016	C-13
94245-18125	D-13		D- 9
94330-21084	D-11		D-10
94345-18081	D-13		E-11
94416-21430	D-11	97313-06040	E-11
94425-18409	D-13	97313-08030	C- 5
94580-40112	D-14	97321-06014	C- 9
94590-27126	B- 8	97321-06016	B- 8
94680-50011	D-14		C- 5
94701-00262	B- 2	97701-40510	E- 8

NUMERICAL INDEX

NUMERICAL INDEX

PART NO.	GRID NO.
97701-40555	E - 8
97706-30108	E - 6
98501-05010	B -13
98501-05020	E -11
98502-04035	E - 9
98503-04014	B -13
98503-05025	D - 5
	E -12
98506-04012	E - 2
98506-05016	B -11
98506-05020	D -15
	E -10
98506-05022	E -10
98506-05025	D -15
98580-04010	B -13
	B -14
98580-04020	B -14
98901-04006	B -14
98901-06008	B - 9
99001-09600	C -11
99001-10600	C -11
99009-10400	C - 6
99009-11400	B - 9
99009-15400	C - 5
99009-20400	C - 5
	C - 9
99510-08016	B - 4
	C - 2
99510-10114	B - 2
99510-12016	C - 2
	C - 3

PART NO.	GRID NO.
----------	----------

PART NO.	GRID NO.
----------	----------

PART NO.	GRID NO.
----------	----------

PART NO.	GRID NO.
----------	----------

PART NO.	GRID NO.
----------	----------

INDEX

(INDIVIDUAL SPEC.)

100
101
102
103
104
105
106
107
108
109
110
111
112
113
114
115
116
117
118
119
120
121
122
123
124
125
126
127
128
129
130
131
132
133
134
135
136
137
138
139
140
141
142
143
144
145
146
147
148
149
150
151
152
153
154
155
156
157
158
159
160
161
162
163
164
165
166
167
168
169
170
171
172
173
174
175
176
177
178
179
180
181
182
183
184
185
186
187
188
189
190
191
192
193
194
195
196
197
198
199
200

NUMERICAL INDEX

PART NO.	GRID NO.
3AJ-12213-00	E -15
4X7-12213-00	E -15
3AJ-13415-00	E -15
5Y1-13415-01	E -15
3AJ-14714-00	E -15
34K-14714-00	E -15
30X-14768-00	E -15
3PW-15451-00	E -15
5Y1-15451-01	E -15
3AJ-15482-00	E -15
34K-15482-00	E -15
90202-05191	E -15
90202-05193	E -15
90202-06010	E -15

PART NO.	GRID NO.
----------	----------

PART NO.	GRID NO.
----------	----------

PART NO.	GRID NO.
----------	----------

NUMERICAL INDEX

PART NO.	GRID NO.
----------	----------

PART NO.	GRID NO.
----------	----------



**COPY RIGHT: ALL RIGHTS RESERVED
NO PART OF THIS PUBLICATION MAY BE
REPRODUCED WITHOUT PERMISSION.**



YAMAHA MOTOR CO., LTD.
2500 SHINGAI IWATA-SHI SHIZUOKA-KEN JAPAN

PRINTED IN JAPAN
First edition Mar., 1989

